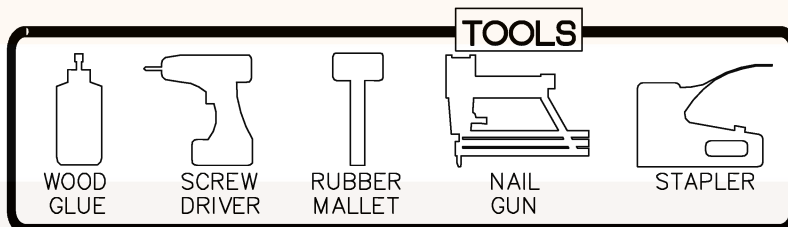
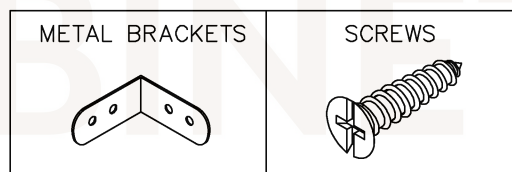
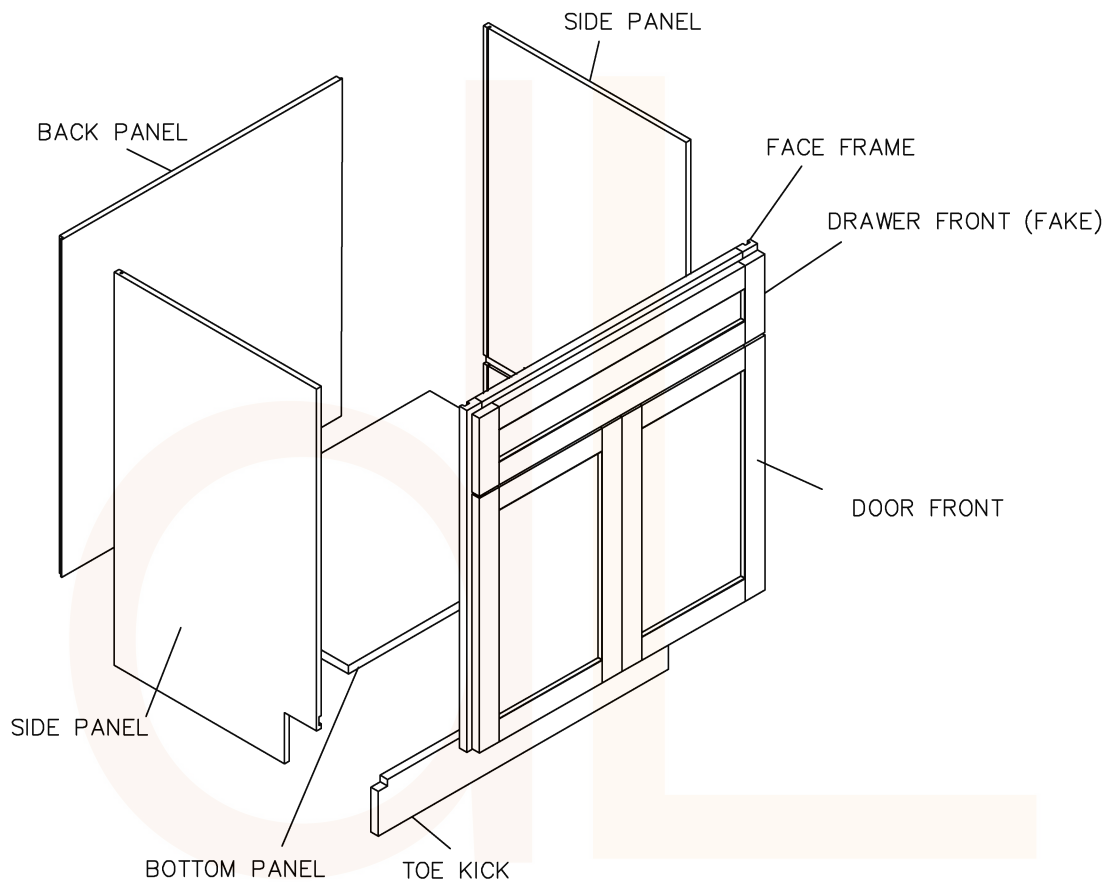


ASSEMBLY INSTRUCTIONS - SINK BASE CABINET

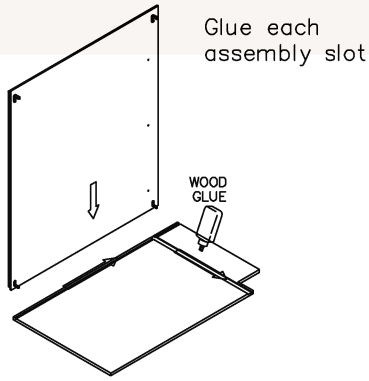


This instruction applies to the following items:

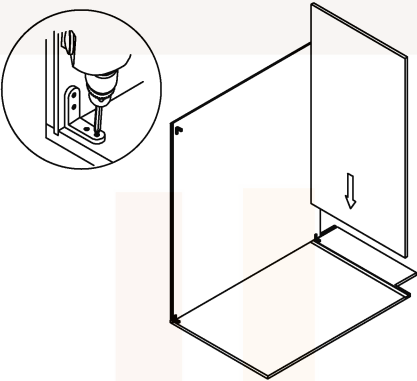
SB30 (Single false drawer)

SB36 (Double false drawers)

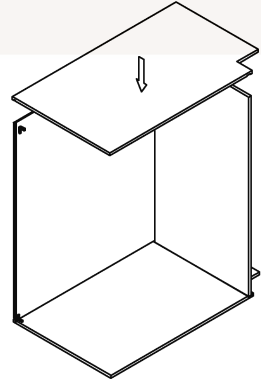
STEP 1



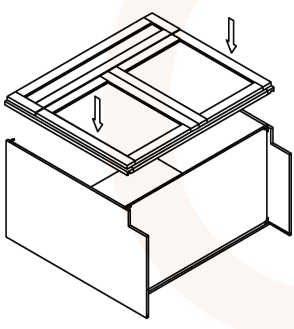
STEP 2



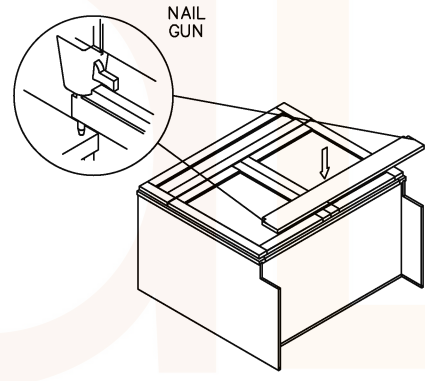
STEP 3



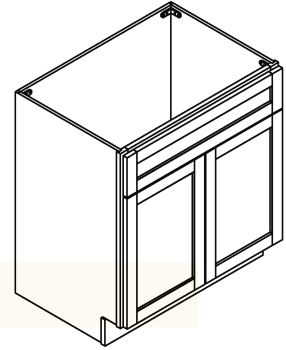
STEP 4



STEP 5

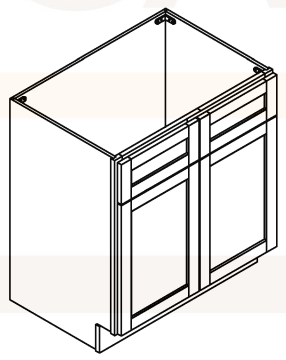


STEP 6



(Single false drawer)

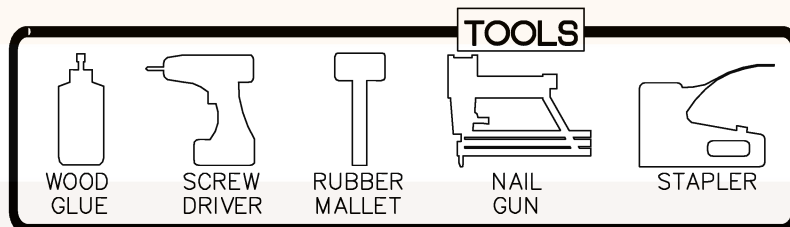
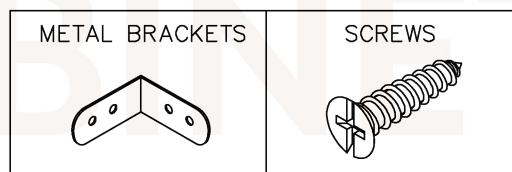
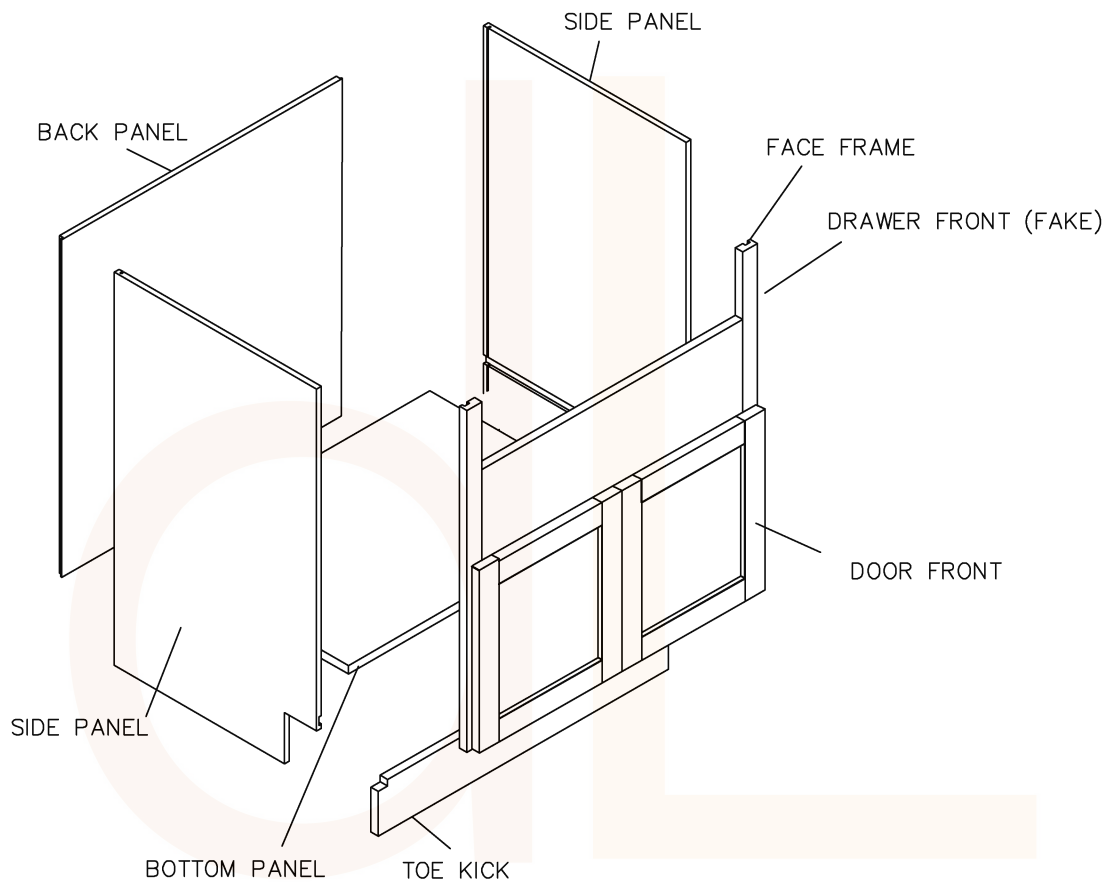
STEP 7



(Double false drawers)

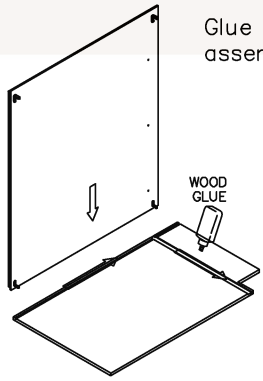
CABINETS

ASSEMBLY INSTRUCTIONS - FARM SINK BASE CABINET



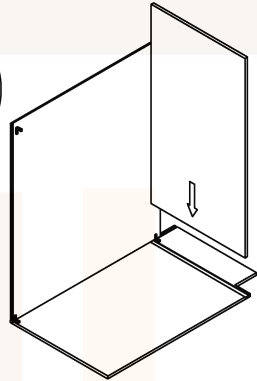
This instruction applies to the following items:
FSB36

STEP 1

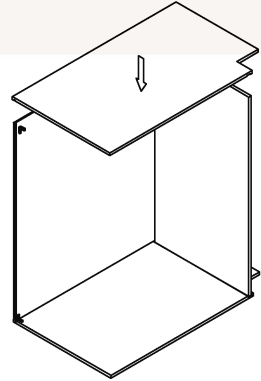


Glue each assembly slot

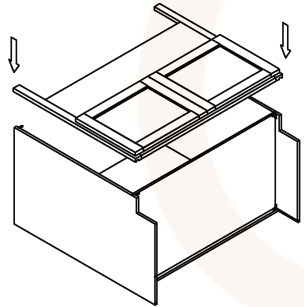
STEP 2



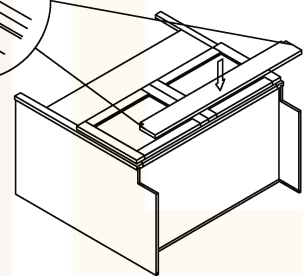
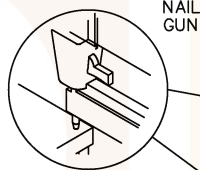
STEP 3



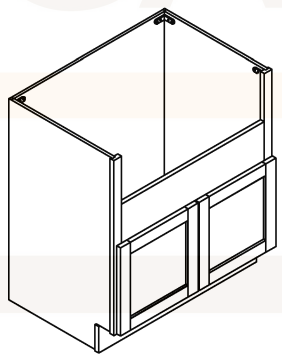
STEP 4



STEP 5

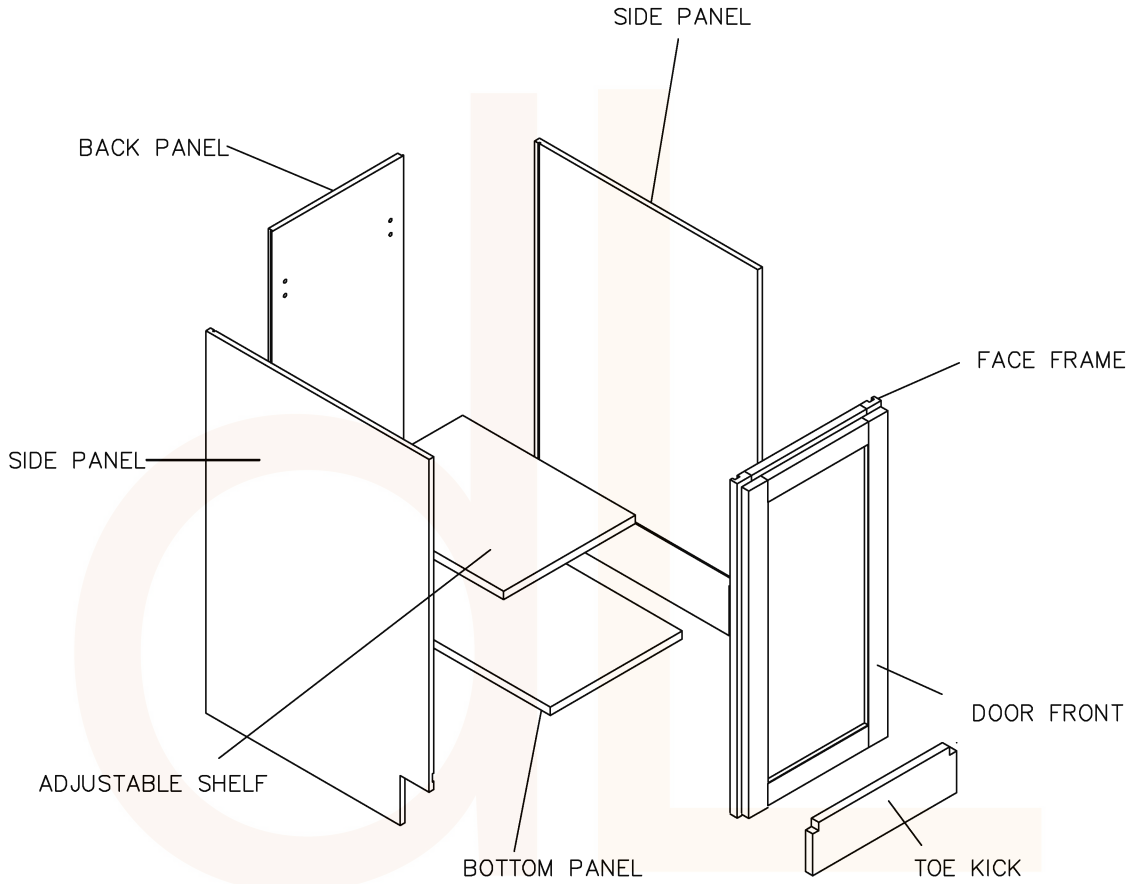


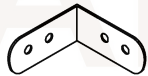
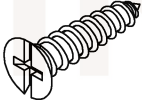

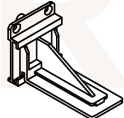
STEP 6



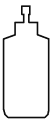



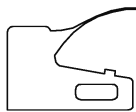
CABINETS

ASSEMBLY INSTRUCTIONS - FULL DOOR BASE CABINET



<p>METAL BRACKETS</p> 	<p>SCREWS</p> 	<p>SHELF CLIPS</p> 	<p>GLIDE SUPPORTS</p> 
---	---	---	---

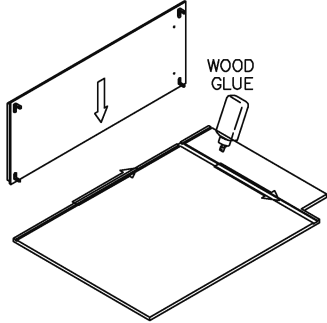
TOOLS

 WOOD GLUE	 SCREW DRIVER	 RUBBER Mallet	 NAIL GUN	 STAPLER
--	---	--	---	---

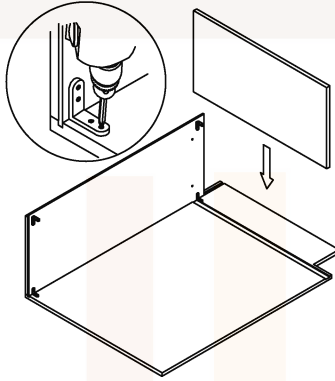
This instruction applies to the following items:
 FDB18-FDB36

STEP 1

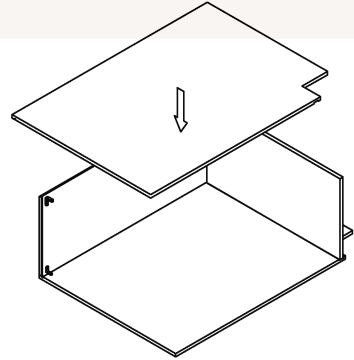
Glue each assembly slot



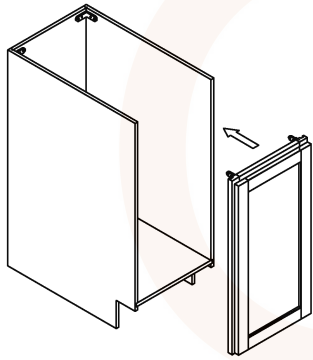
STEP 2



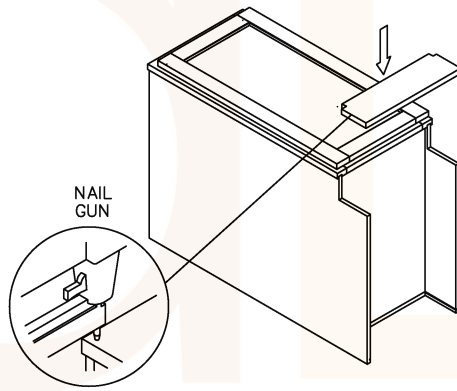
STEP 3



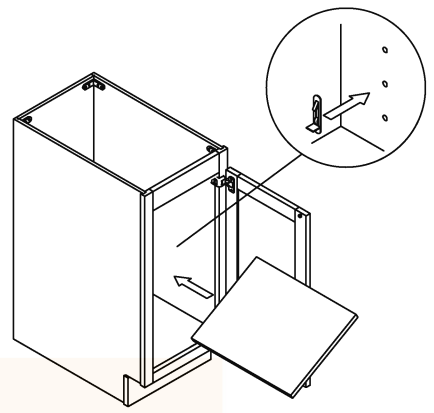
STEP 4



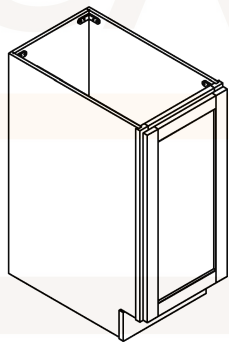
STEP 5



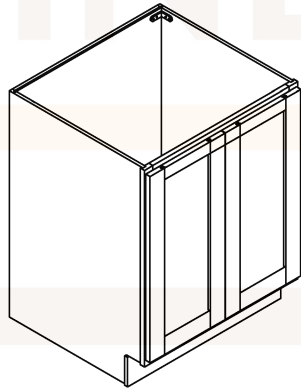
STEP 6



STEP 7

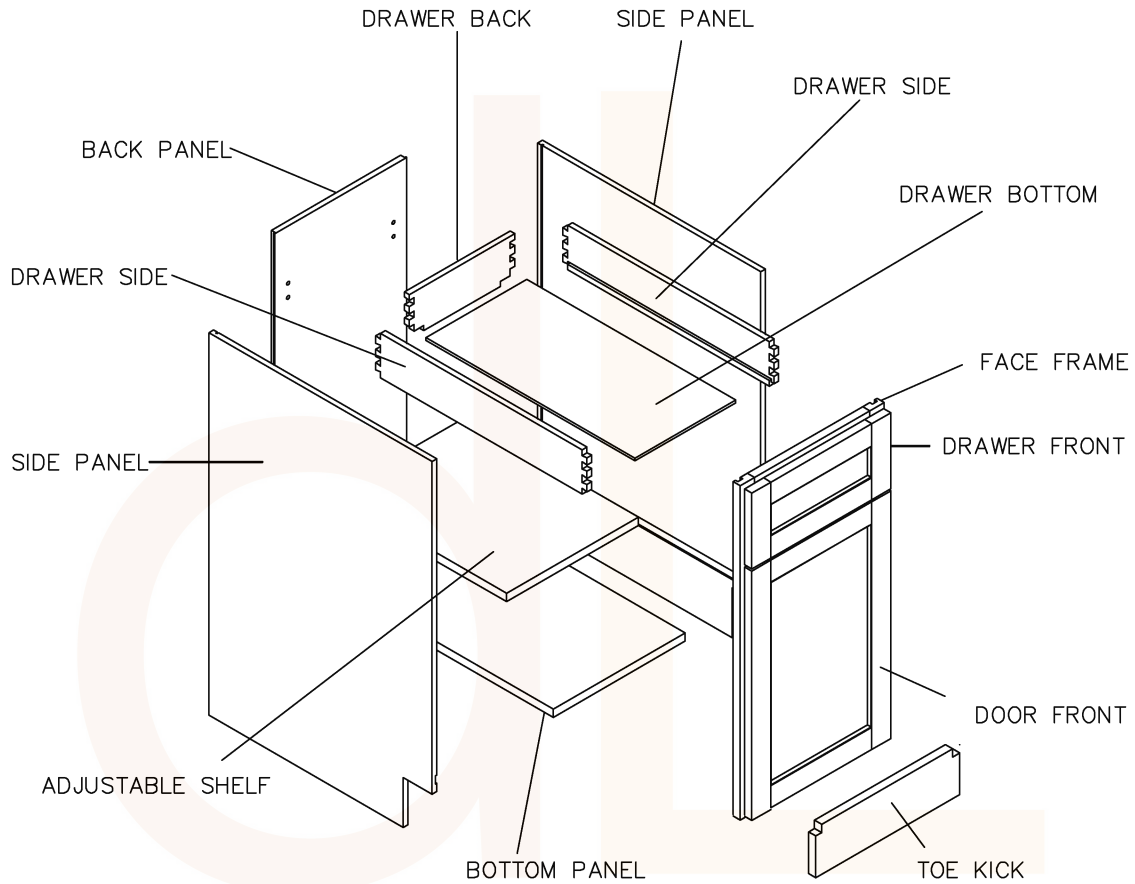


STEP 8



CABINETS

ASSEMBLY INSTRUCTIONS - BASE CABINET



<p>GLIDES</p>	<p>METAL BRACKETS</p>	<p>SCREWS</p>	<p>SHELF CLIPS</p>	<p>GLIDE SUPPORTS</p>
---------------	-----------------------	---------------	--------------------	-----------------------

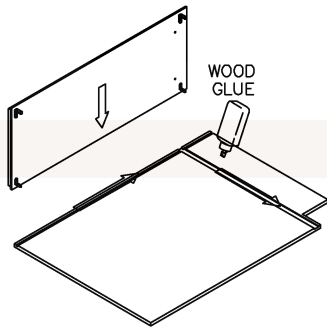
TOOLS

WOOD GLUE	SCREW DRIVER	RUBBER MALLET	NAIL GUN	STAPLER

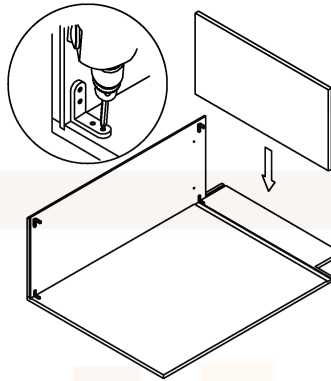
This instruction applies to the following items:
 B09, B12, B15, B18, B21, B24,
 B27, B30, B33, B36, B39, B42

STEP 1

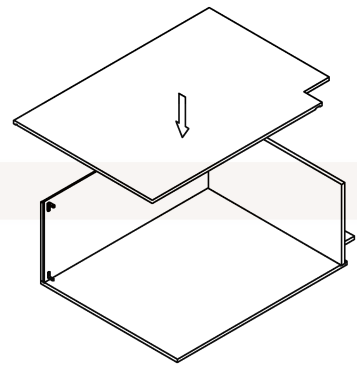
Glue each assembly slot



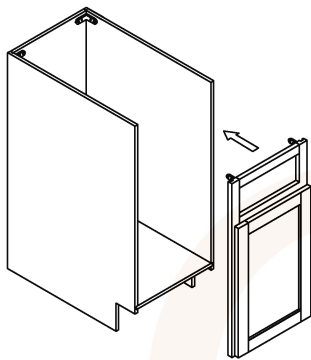
STEP 2



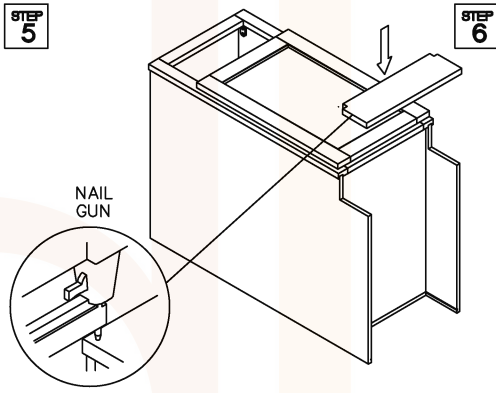
STEP 3



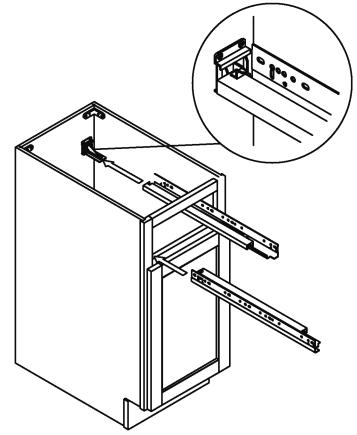
STEP 4



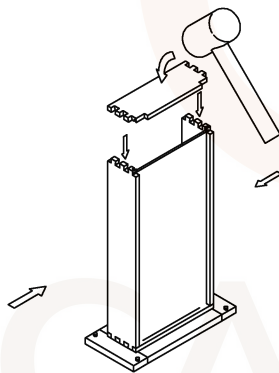
STEP 5



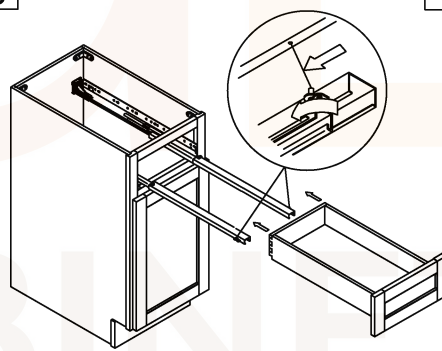
STEP 6



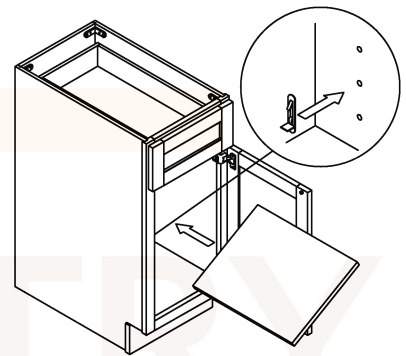
STEP 7



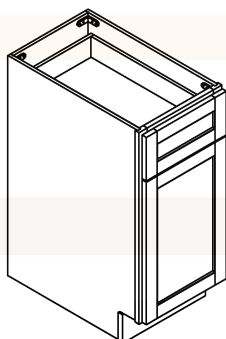
STEP 8



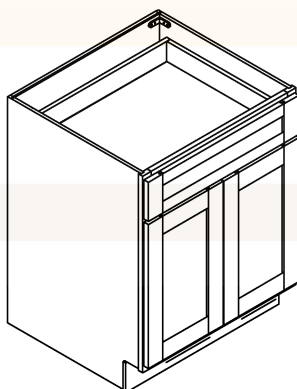
STEP 9



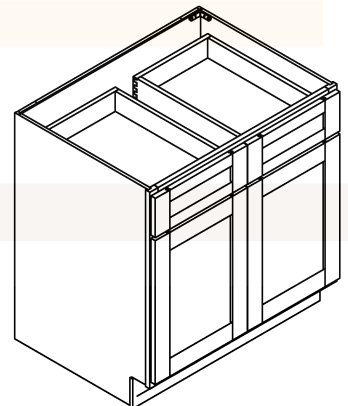
STEP 10



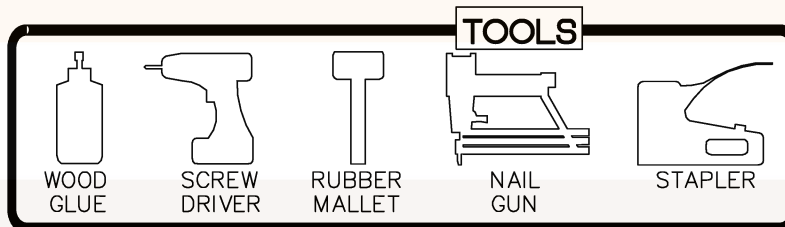
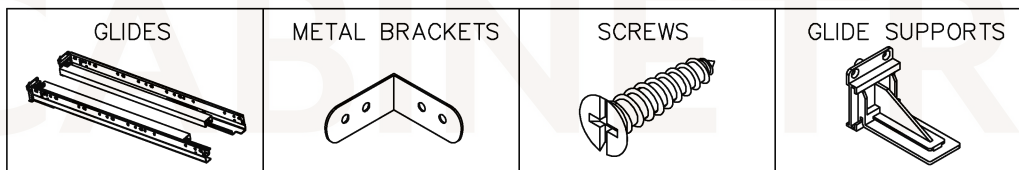
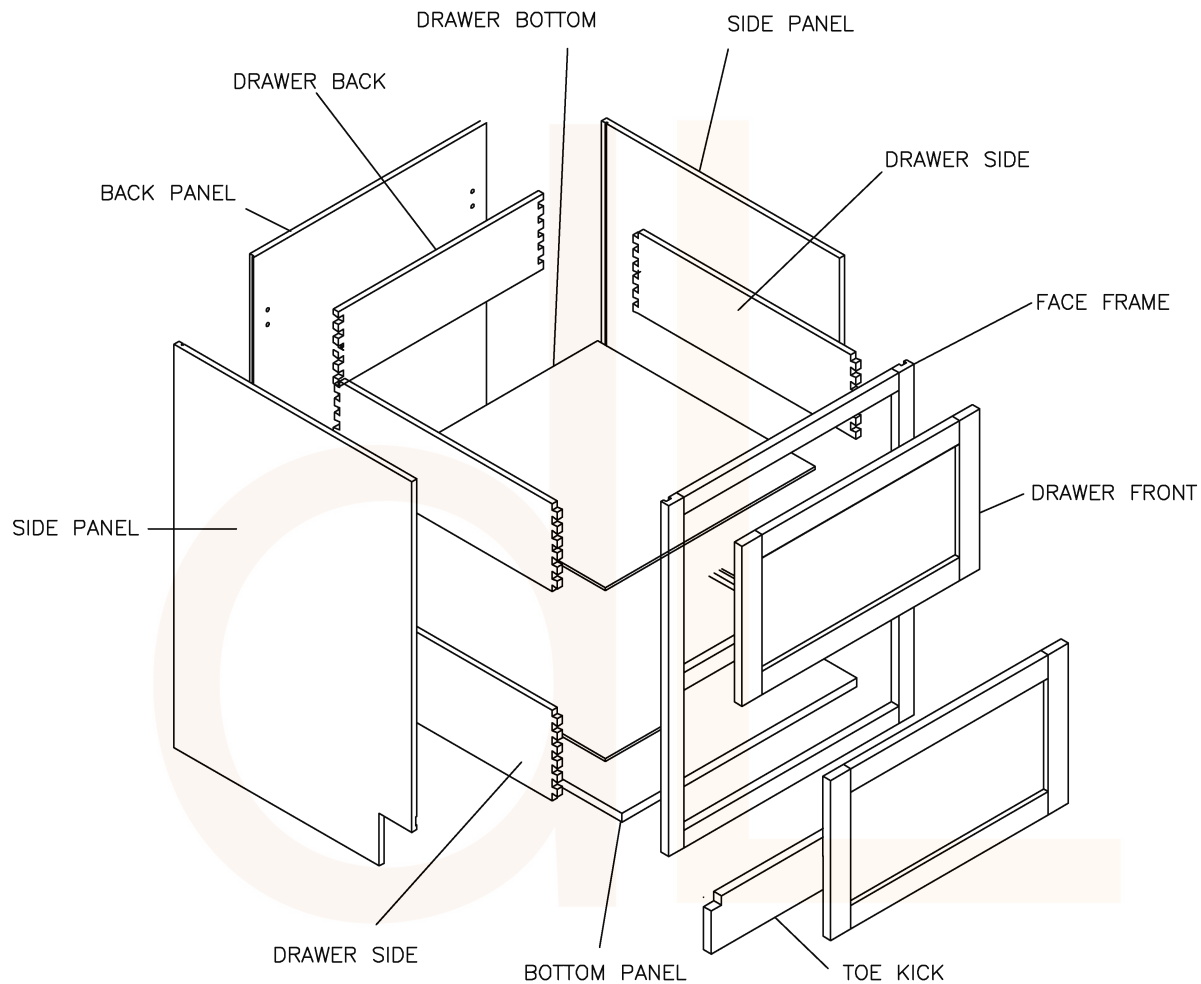
STEP 11



STEP 12



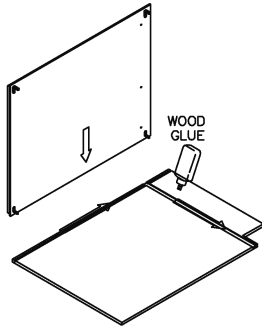
ASSEMBLY INSTRUCTIONS - DRAWER BASE CABINET (2 DRAWERS)



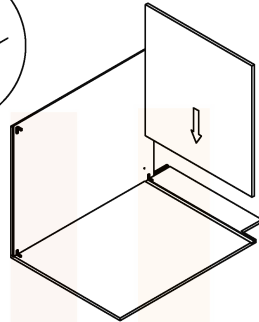
This instruction applies to the following items:
2DB30, 2DB33, 2DB36

STEP 1

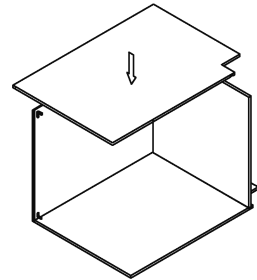
Glue each assembly slot



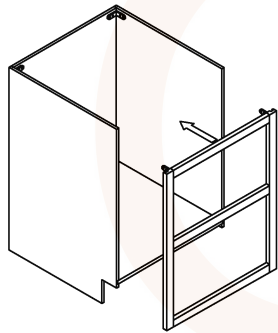
STEP 2



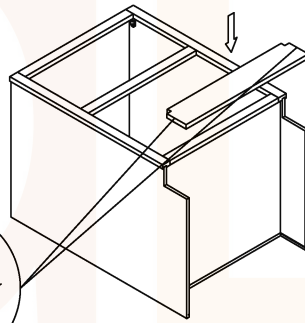
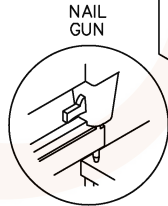
STEP 3



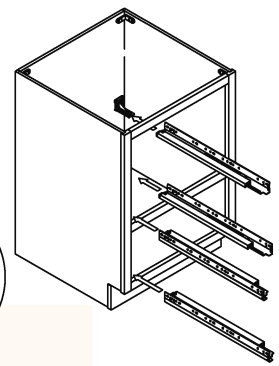
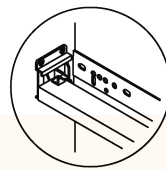
STEP 4



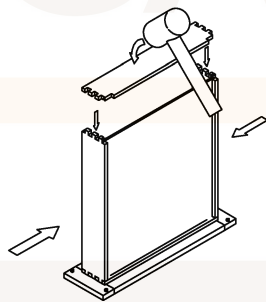
STEP 5



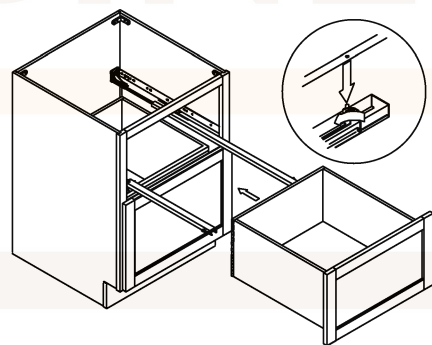
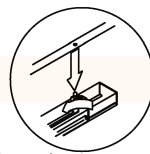
STEP 6



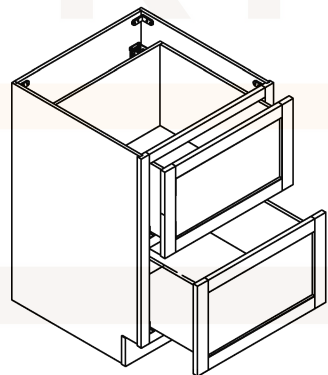
STEP 7



STEP 8

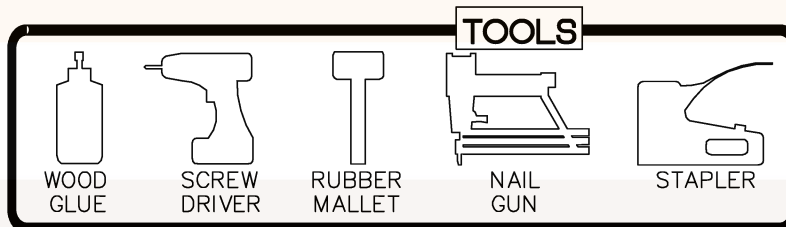
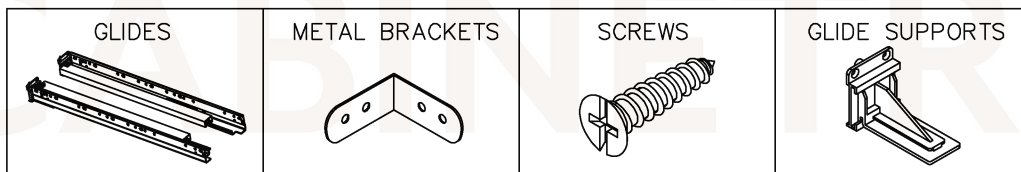
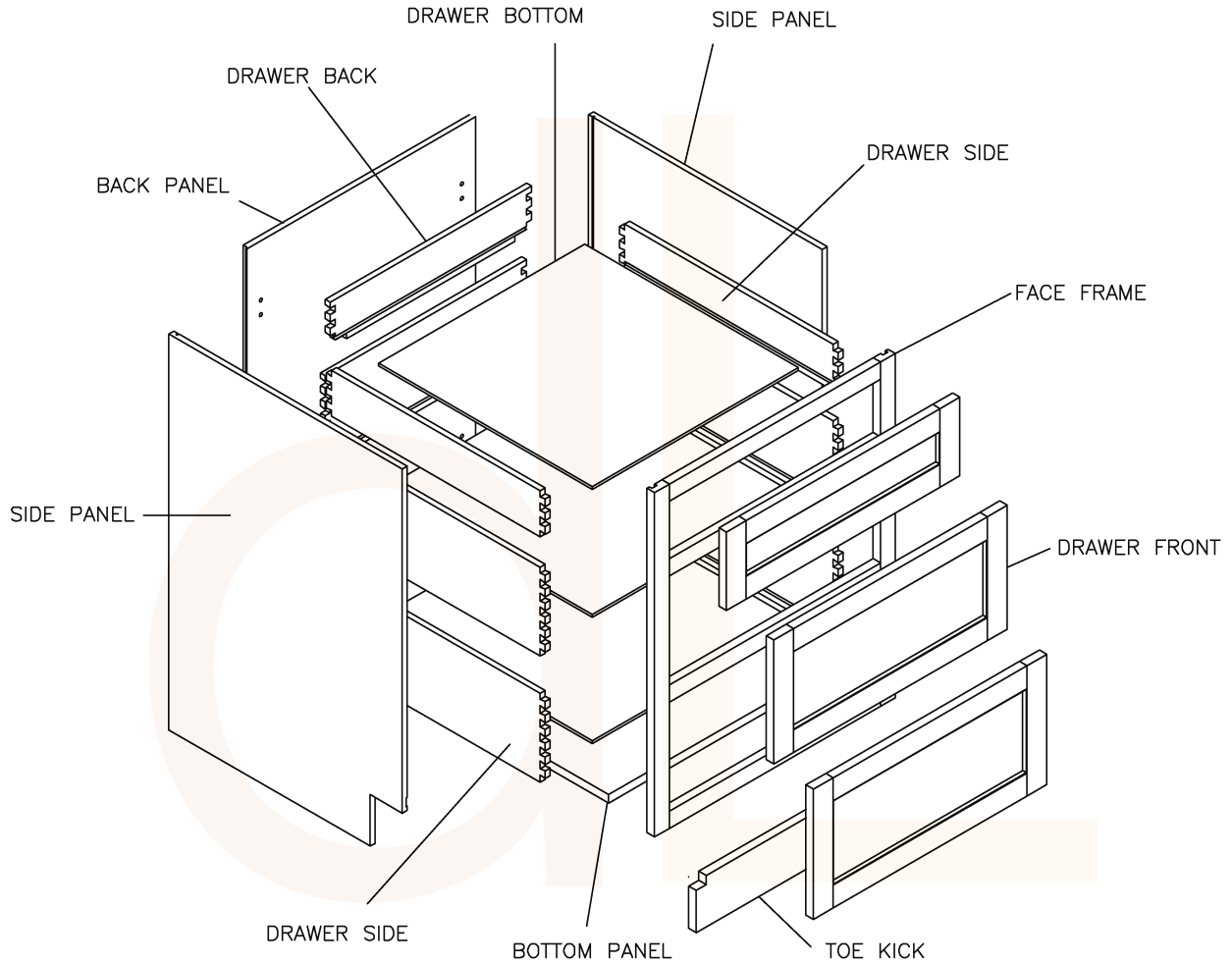


STEP 9



CABINETRY

ASSEMBLY INSTRUCTIONS - DRAWER BASE CABINET (3 DRAWERS)



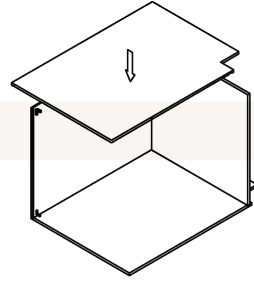
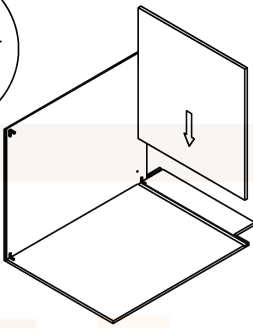
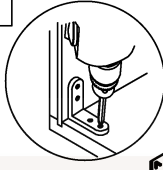
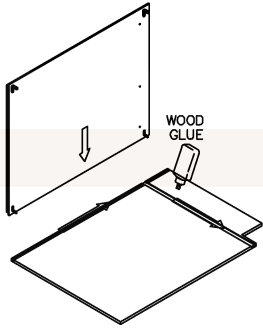
This instruction applies to the following items:
 DB12, DB15, DB18, DB21
 DB24, DB27, DB30, DB33, DB36

STEP 1

Glue each assembly slot

STEP 2

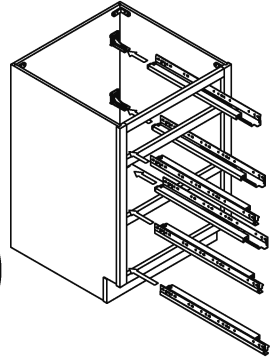
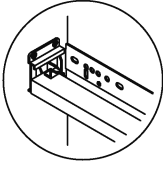
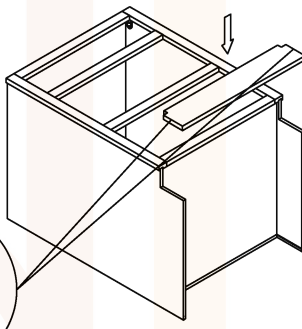
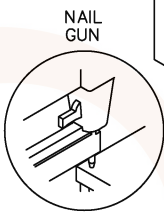
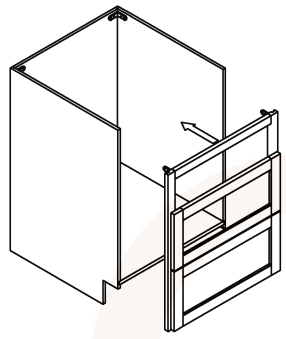
STEP 3



STEP 4

STEP 5

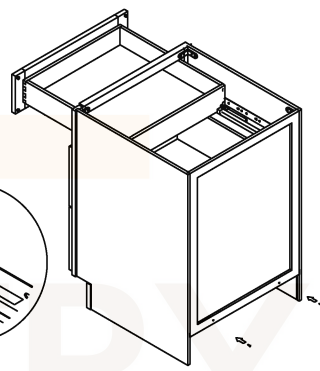
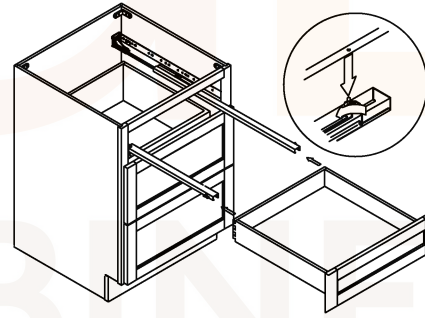
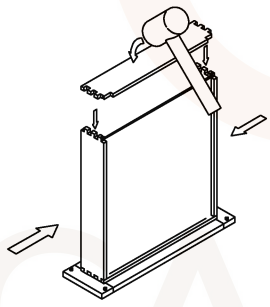
STEP 6



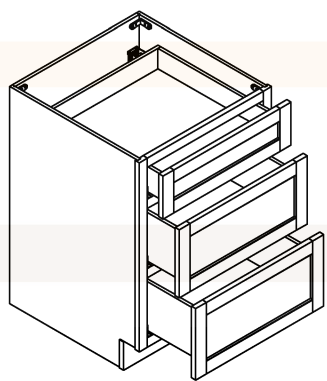
STEP 7

STEP 8

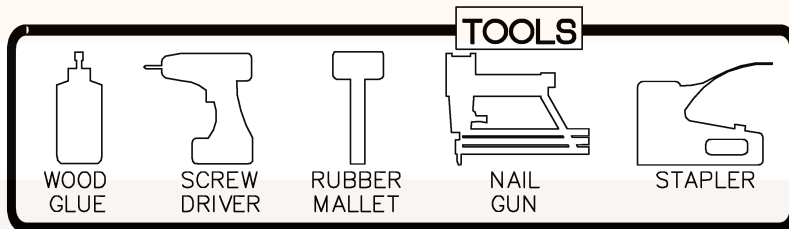
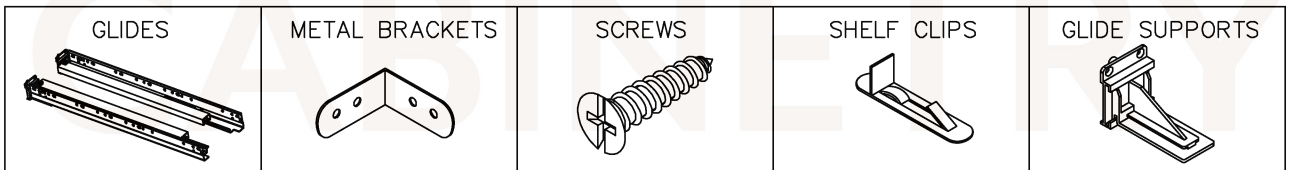
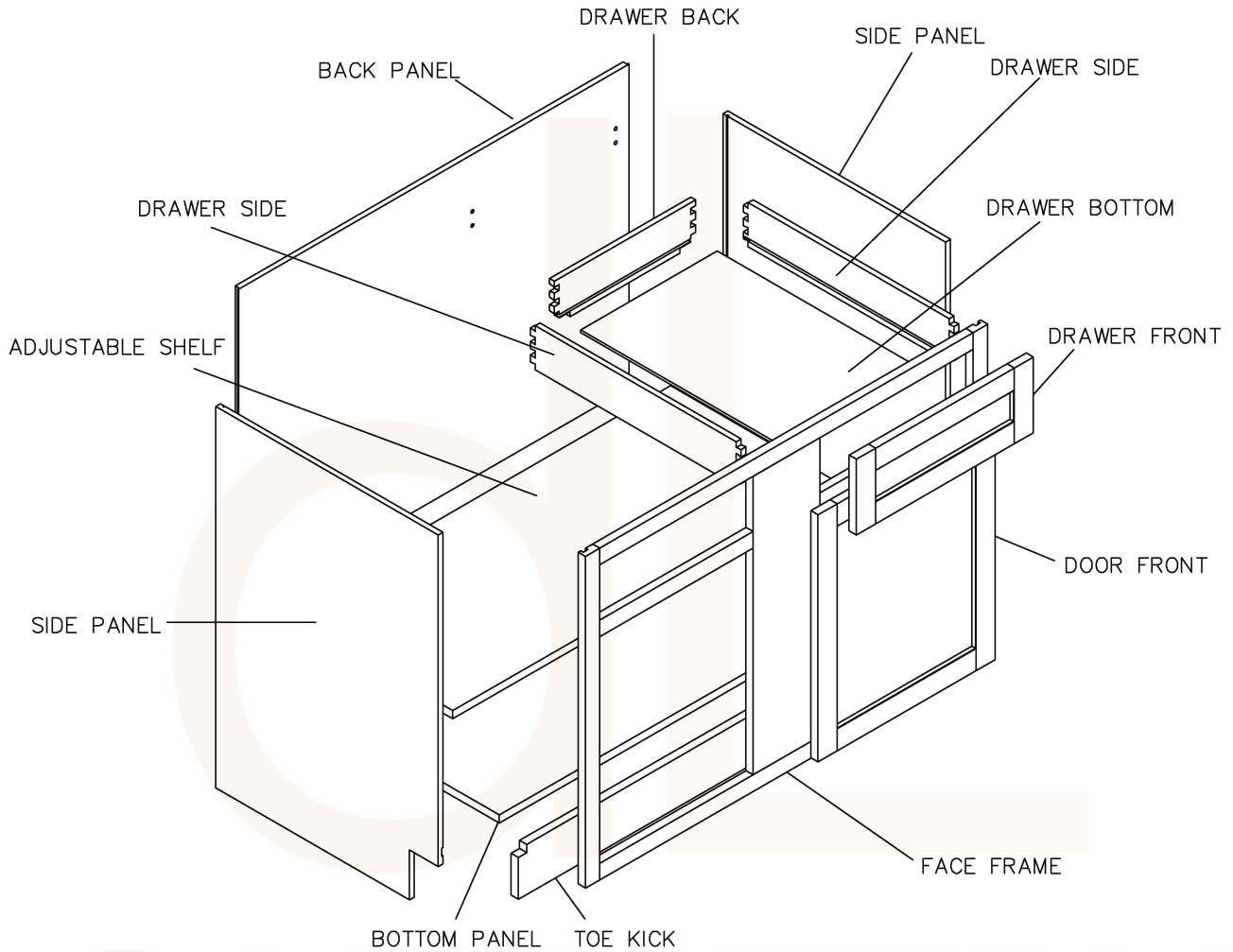
STEP 9



STEP 10

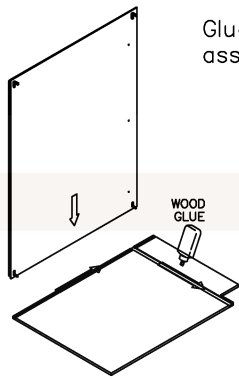


ASSEMBLY INSTRUCTIONS - BLIND BASE CORNER CABINET



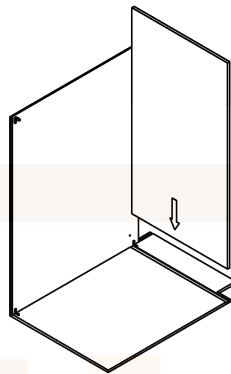
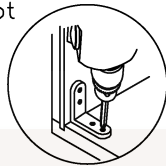
This instruction applies to the following items:
BBC33-9

STEP 1

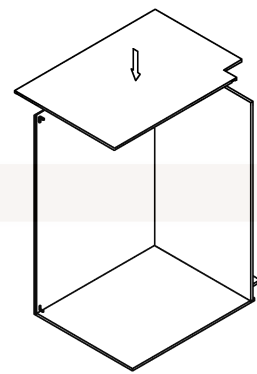


Glue each assembly slot

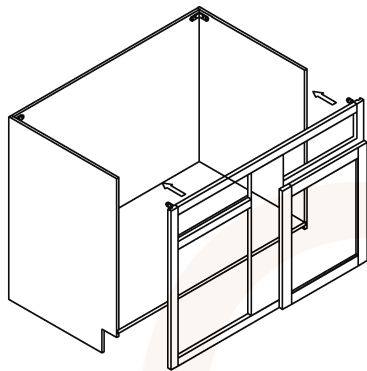
STEP 2



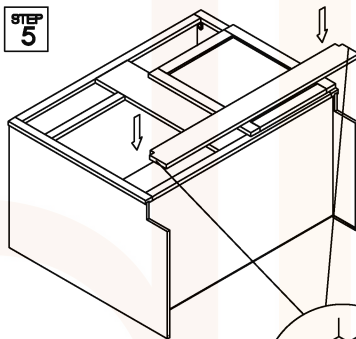
STEP 3



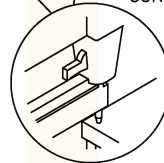
STEP 4



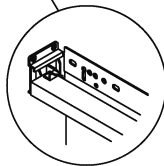
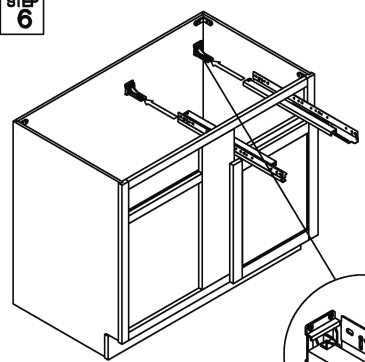
STEP 5



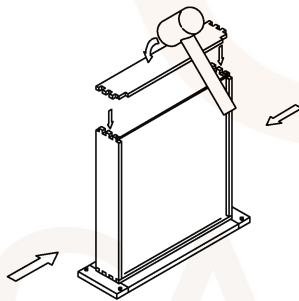
NAIL GUN



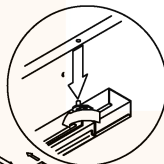
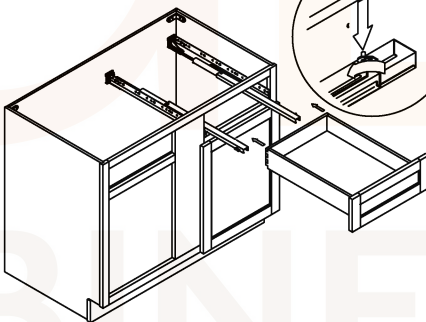
STEP 6



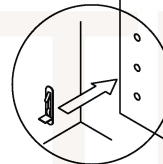
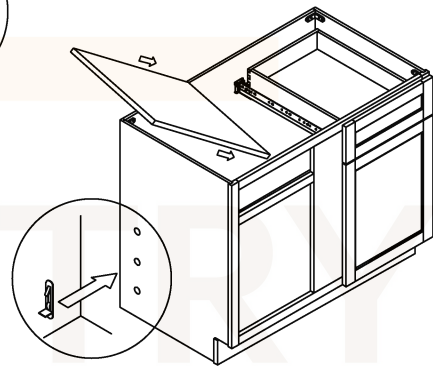
STEP 7



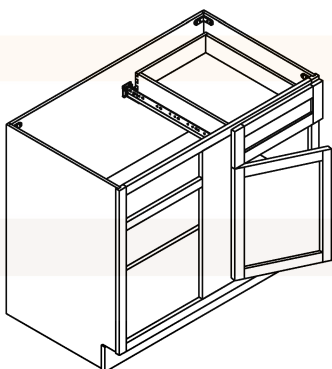
STEP 8



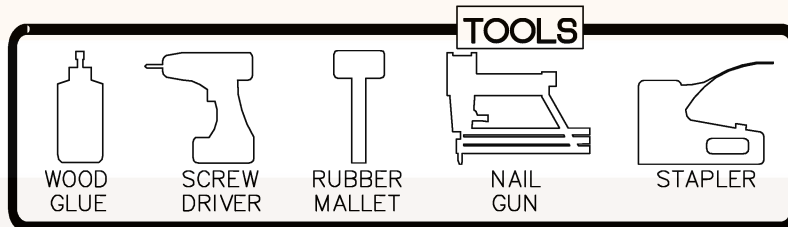
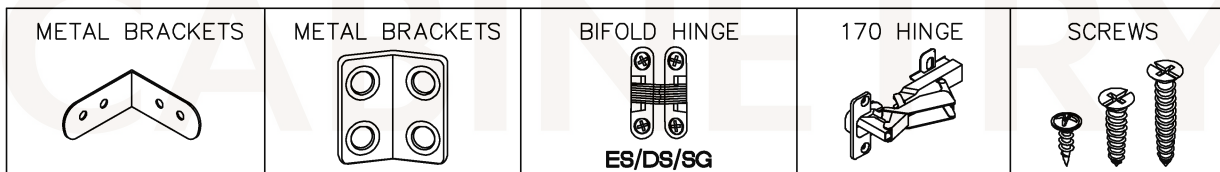
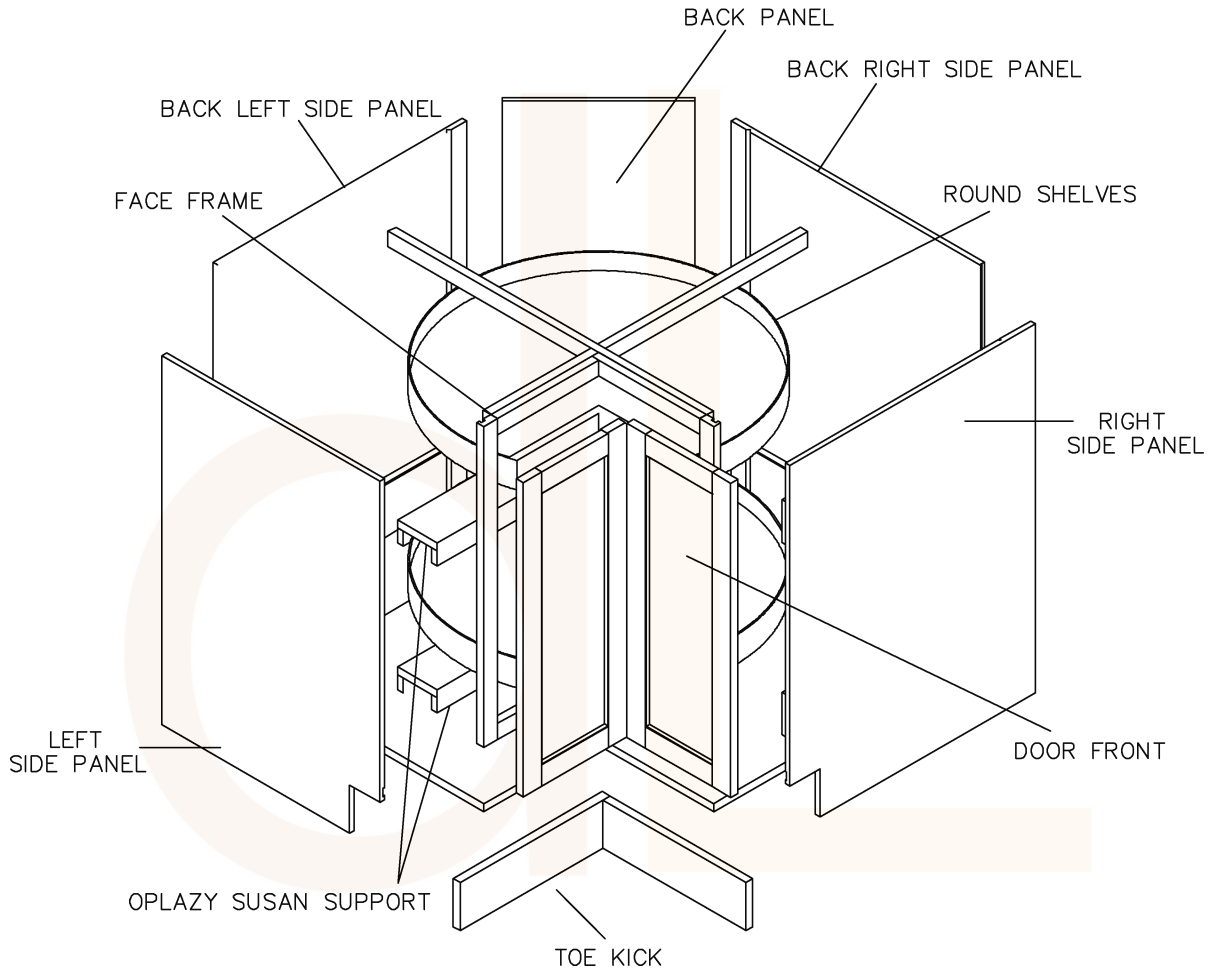
STEP 9



STEP 10

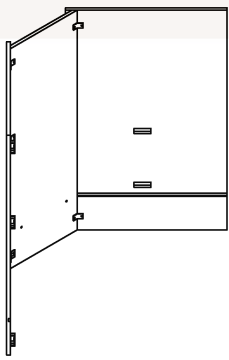


ASSEMBLY INSTRUCTIONS - LAZY SUSAN CORNER CABINET

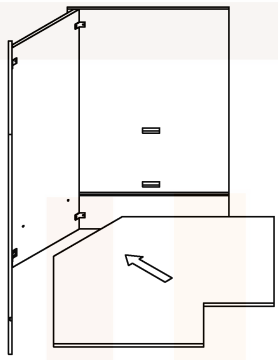


This instruction applies to the following items:
LZS33, LZS3612

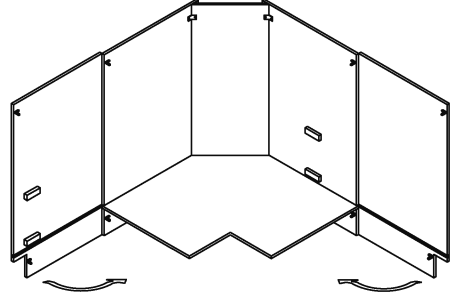
STEP 1



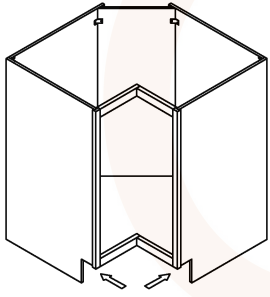
STEP 2



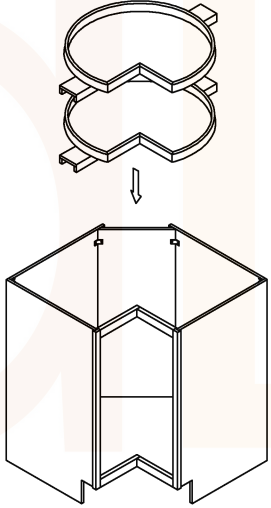
STEP 3



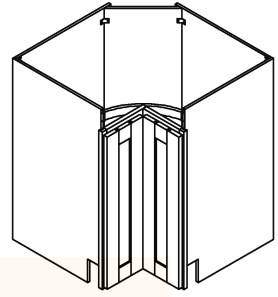
STEP 4



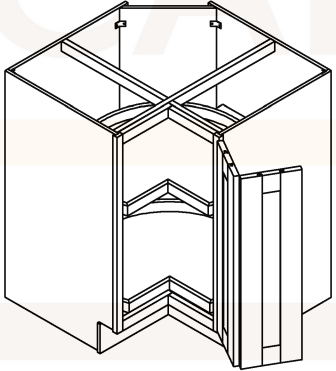
STEP 5



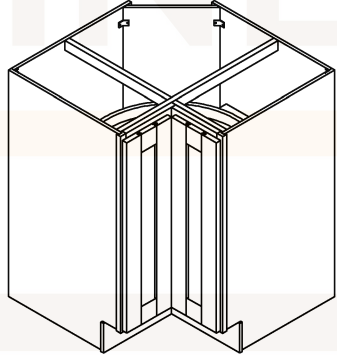
STEP 6



STEP 7

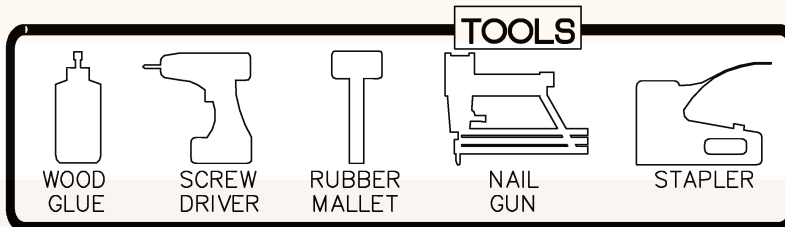
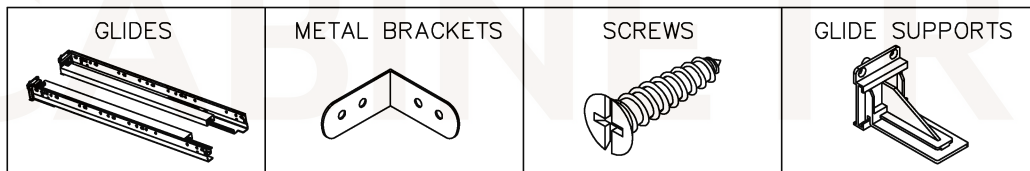
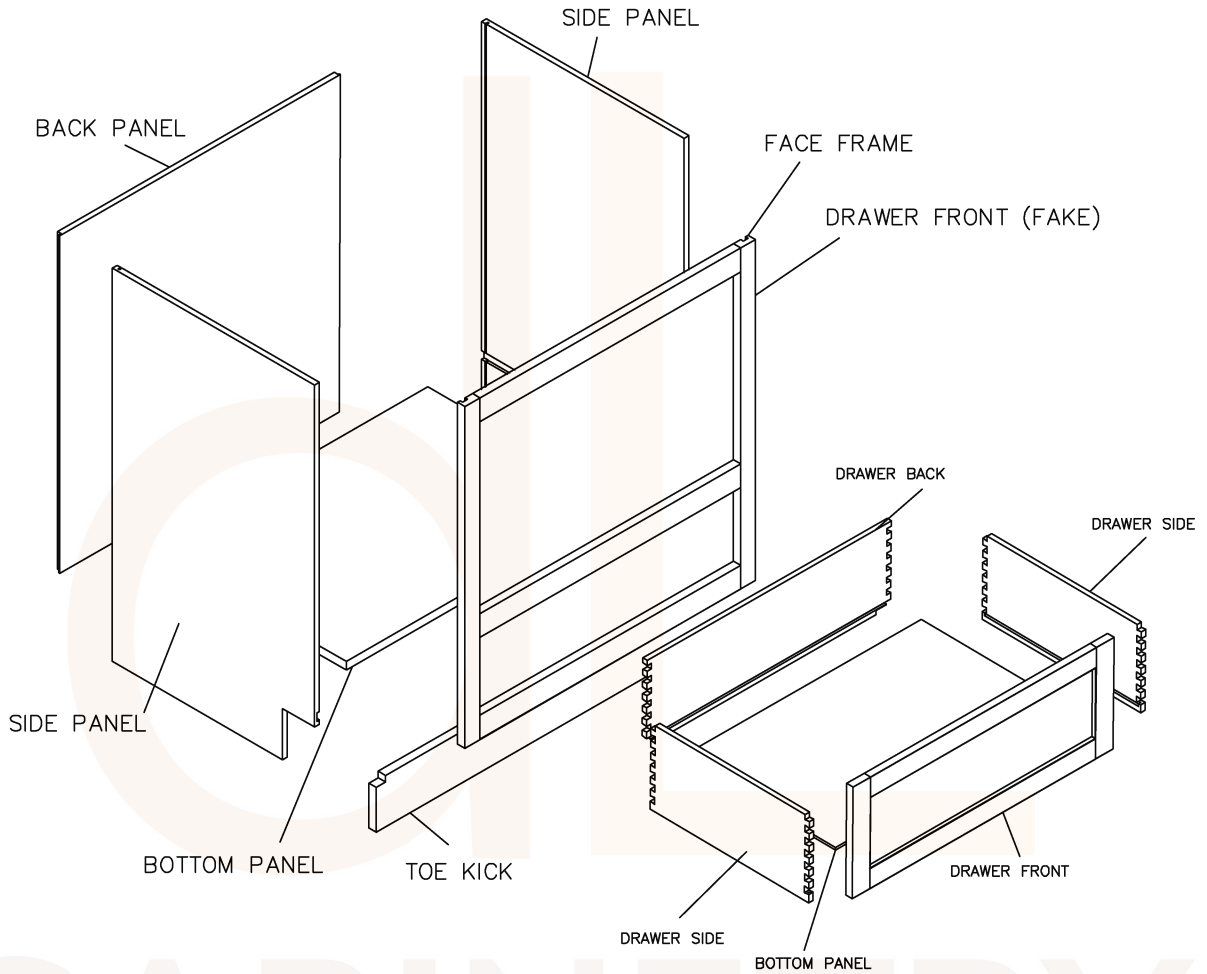


STEP 8



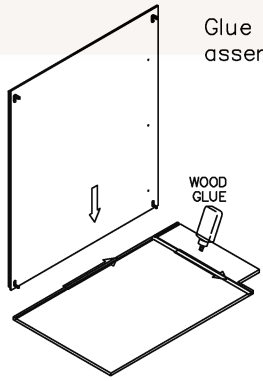
CABINETS

ASSEMBLY INSTRUCTIONS - BASE MICROWAVE CABINET



This instruction applies to the following items:
BMC30

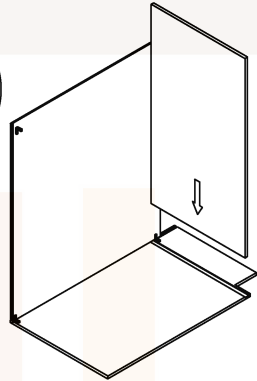
STEP 1



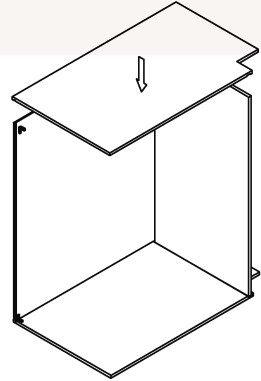
Glue each assembly slot

WOOD GLUE

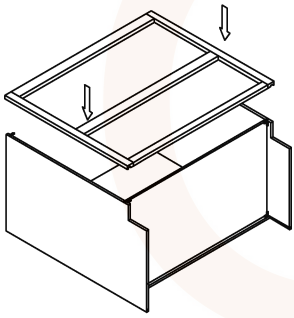
STEP 2



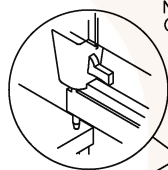
STEP 3



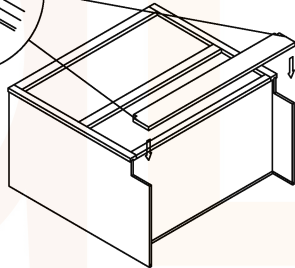
STEP 4



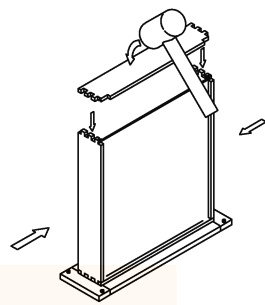
STEP 5



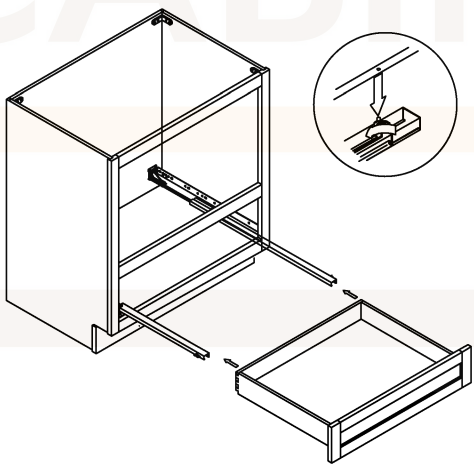
NAIL GUN



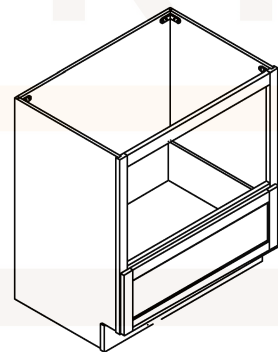
STEP 6



STEP 7

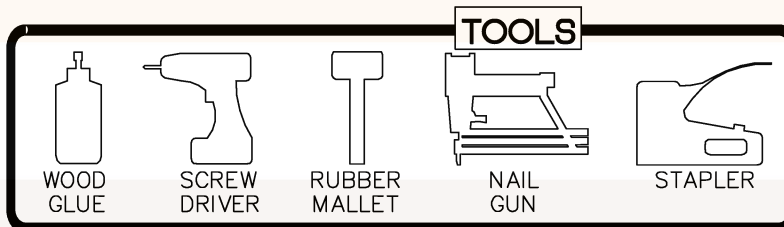
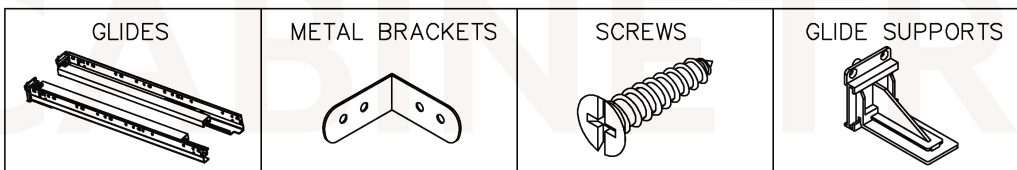
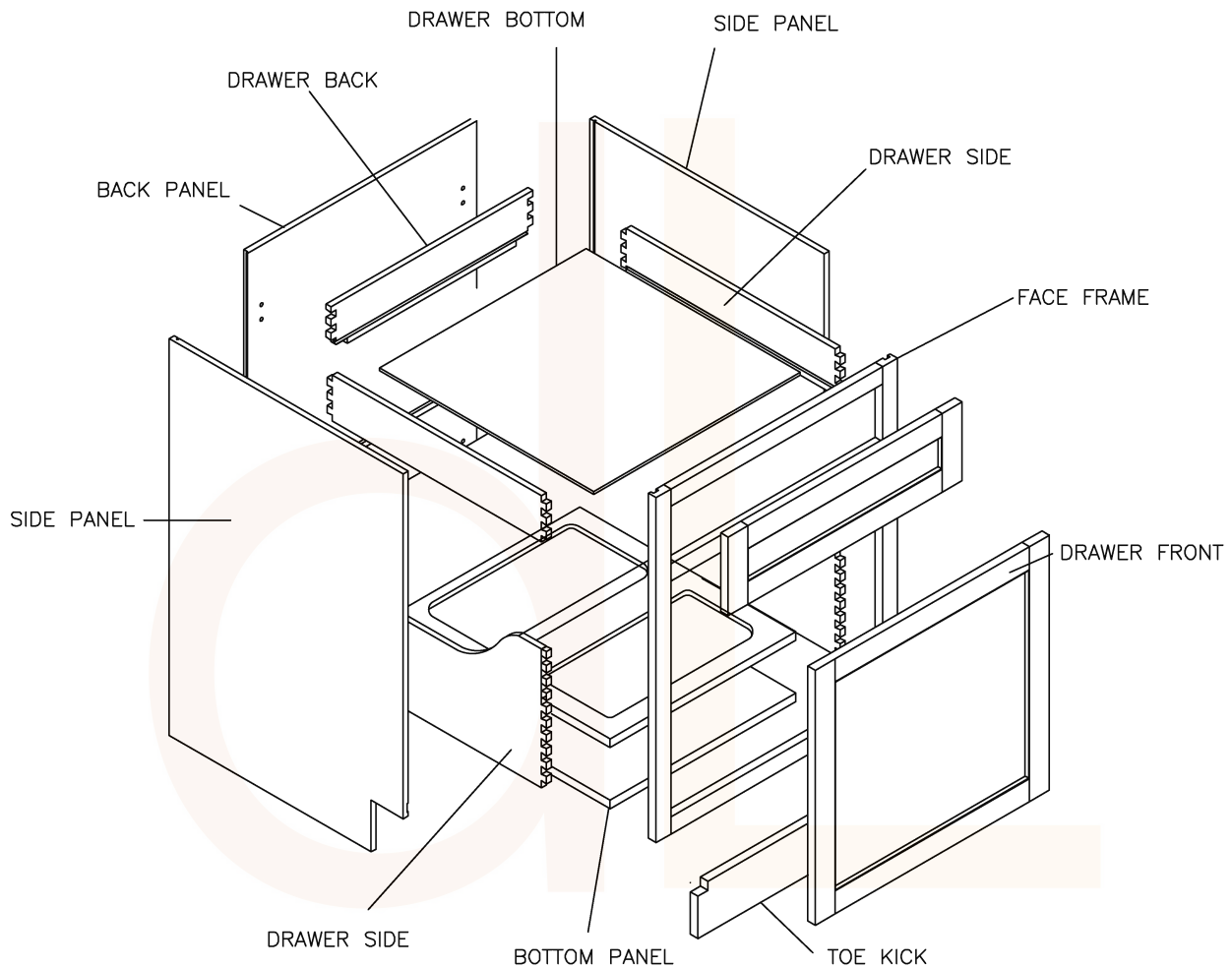


STEP 8



CABINETS

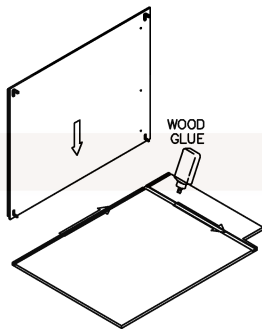
ASSEMBLY INSTRUCTIONS - BASE WASTE BASKET CABINET



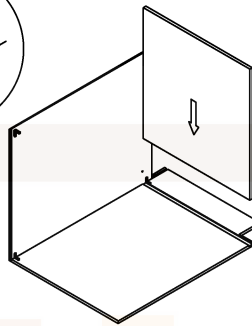
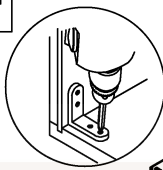
This instruction applies to the following items:
BWBKT18

STEP 1

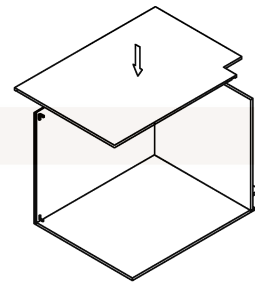
Glue each assembly slot



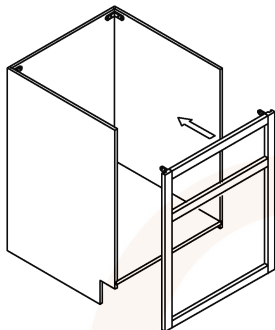
STEP 2



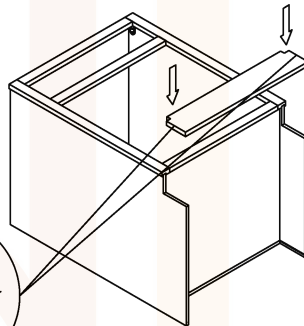
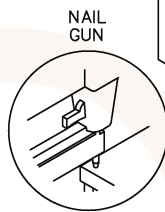
STEP 3



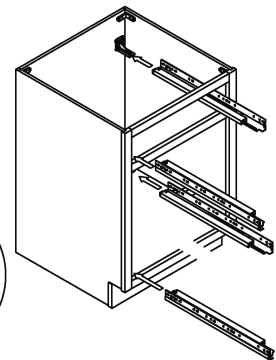
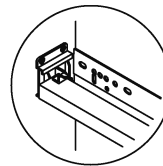
STEP 4



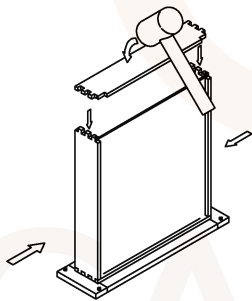
STEP 5



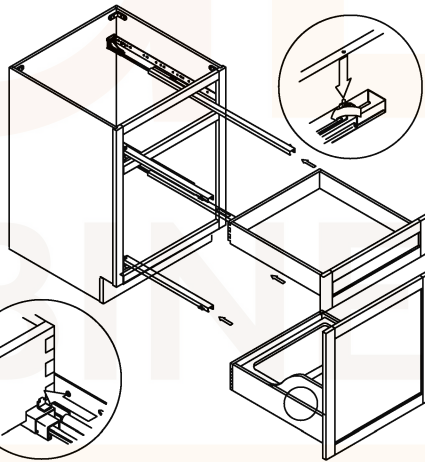
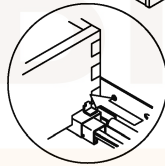
STEP 6



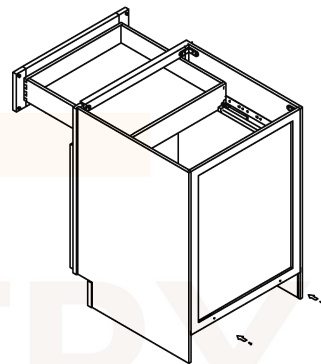
STEP 7



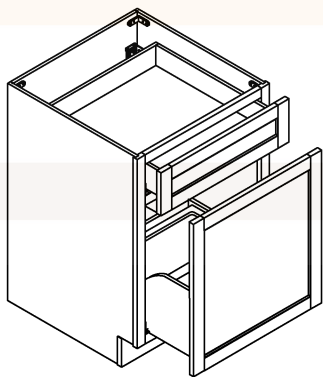
STEP 8



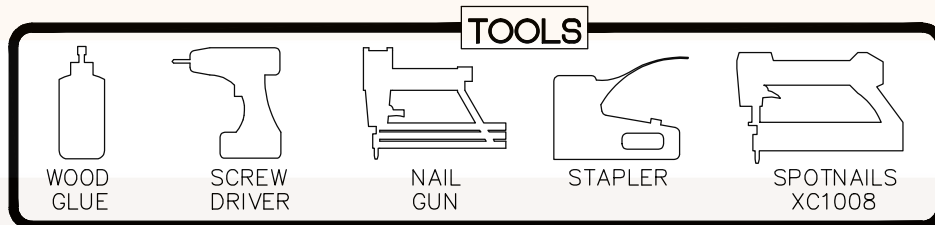
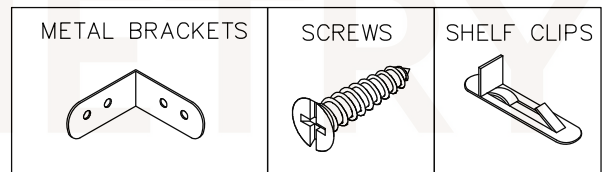
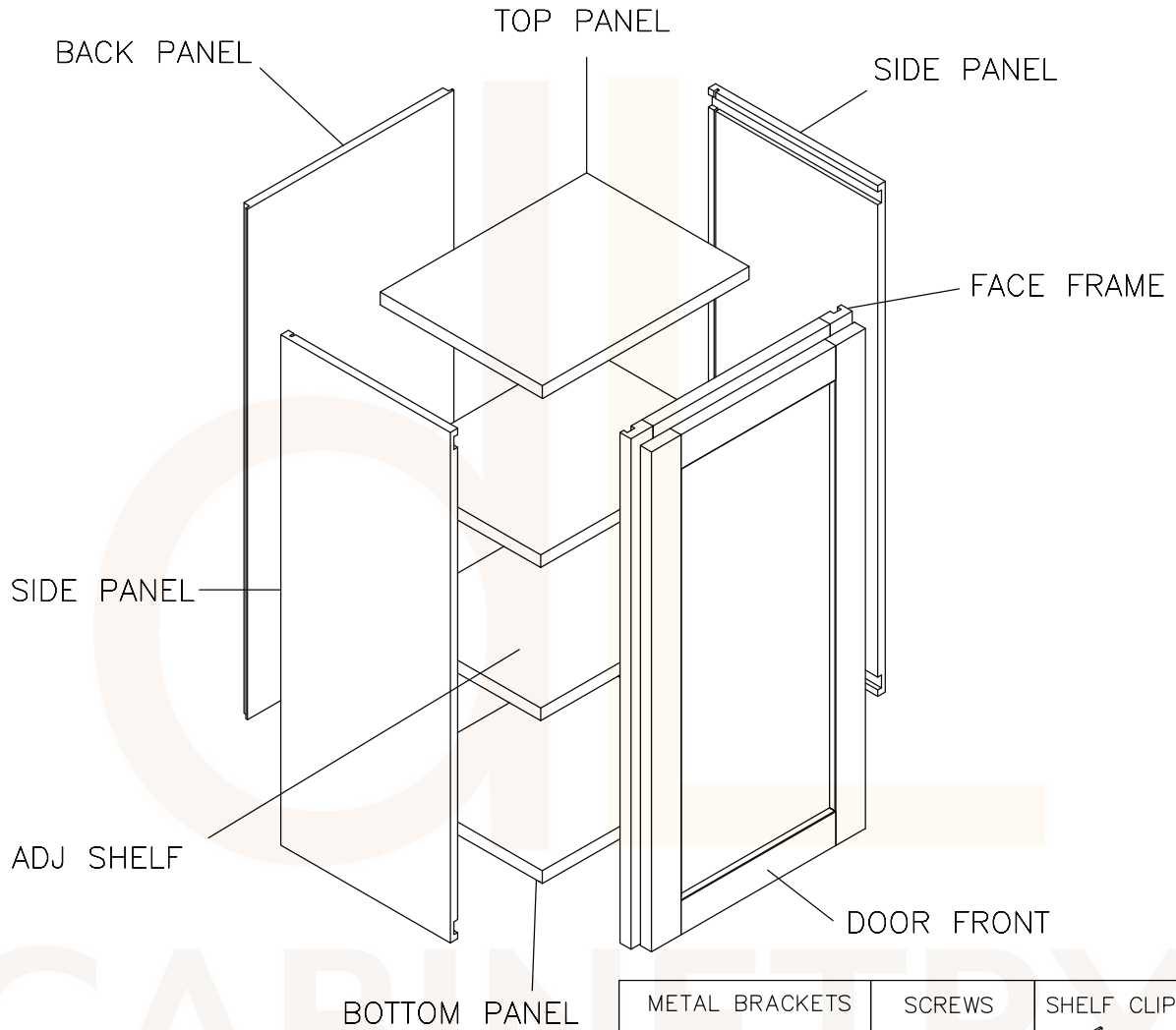
STEP 9



STEP 10



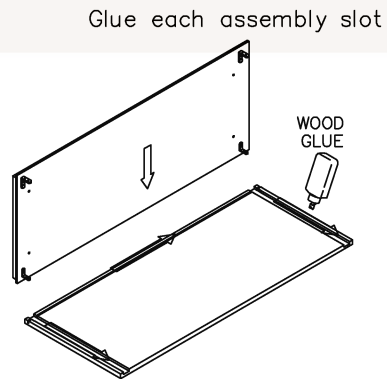
ASSEMBLY INSTRUCTIONS - WALL CABINET (WITH SHELVES)



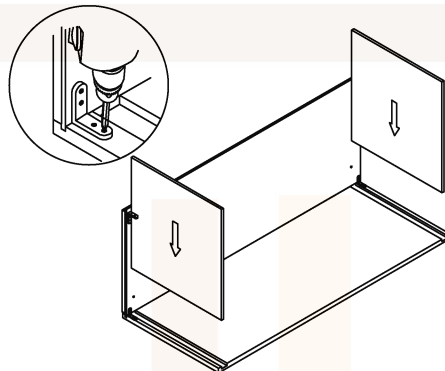
This instruction applies to the following items:

- | | | |
|-----------------|-------------|-------------|
| W1224-W2724 | W0930-W2130 | W2430-W3630 |
| W3024-W3624 | W0936-W2136 | W2436-W3636 |
| W302427-W362427 | W0942-W2142 | W2442-W3642 |

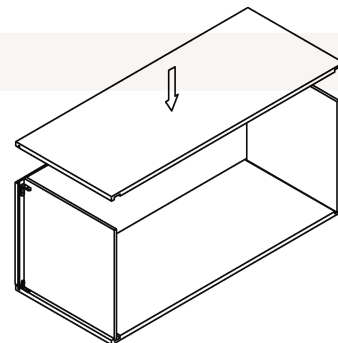
STEP 1



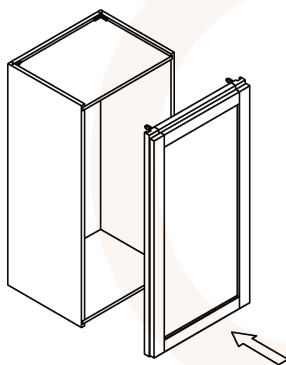
STEP 2



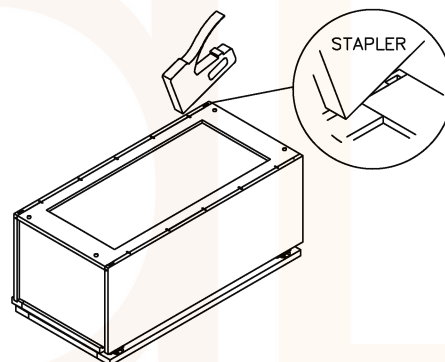
STEP 3



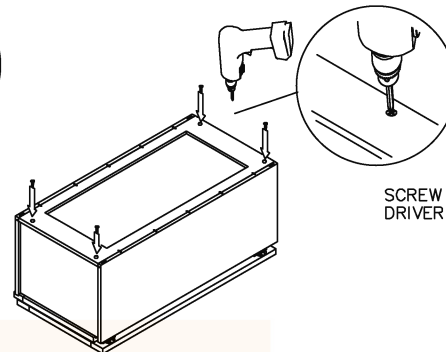
STEP 4



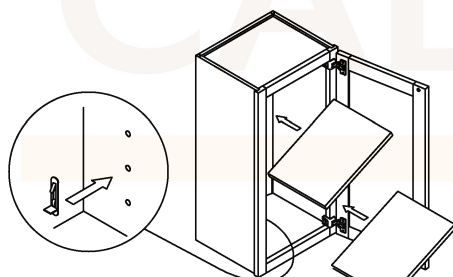
STEP 5



STEP 6

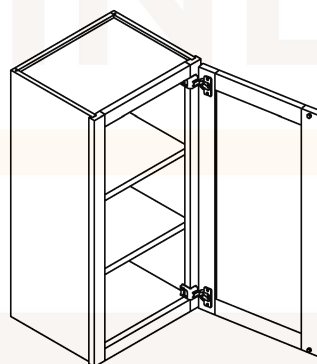


STEP 7



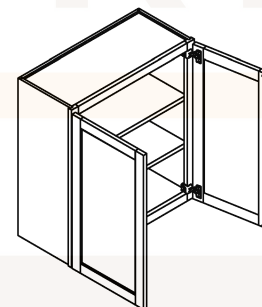
The number of adjustable shelf depends on the actual cabinet type

STEP 8

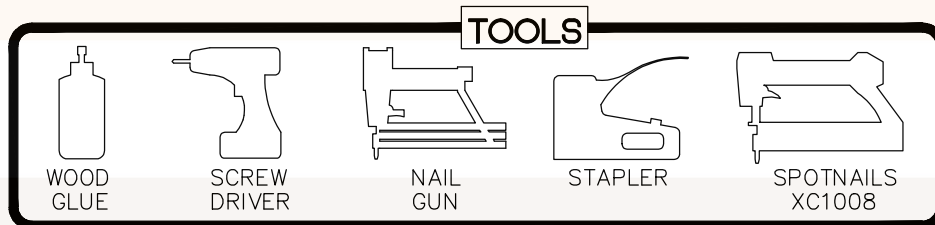
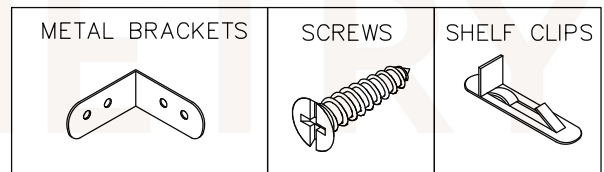
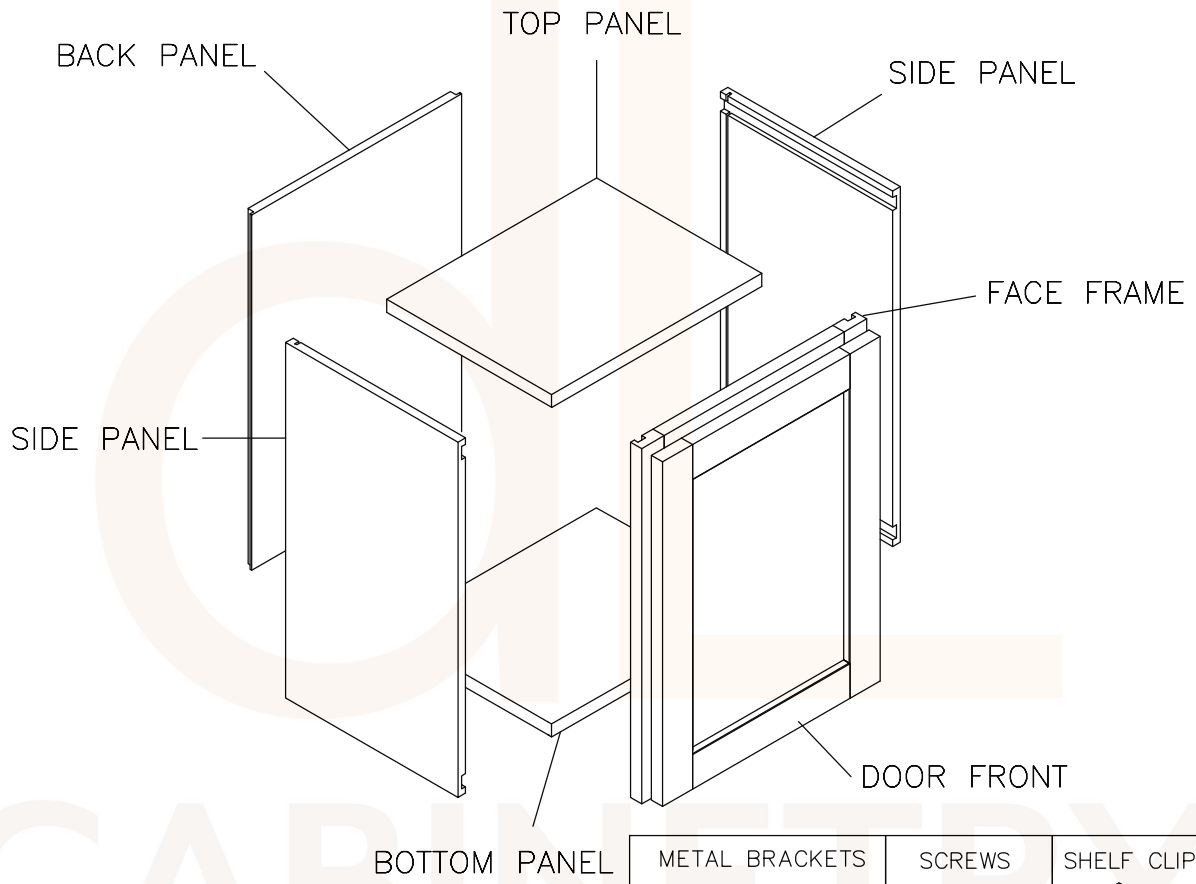


STEP 9

Double door installation method is the same as above



ASSEMBLY INSTRUCTIONS - WALL CABINET (WITHOUT SHELVES)

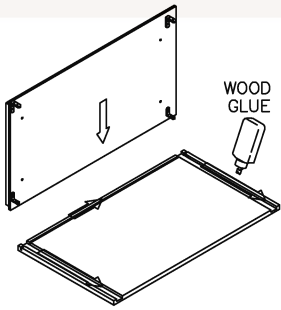


This instruction applies to the following items:

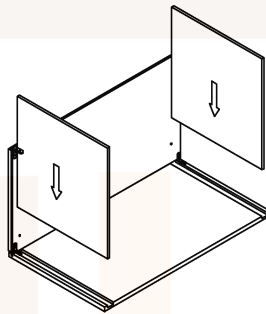
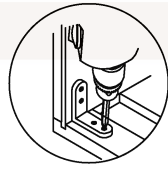
W2412-W2418	W3012-W3612	W3015-W3615	W3018-W3618
	W301227-W361227	W301527-W361527	W301827-W361827

STEP 1

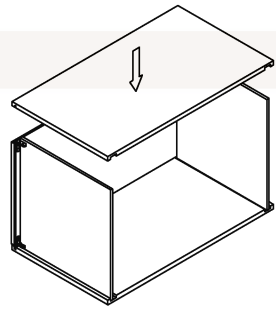
Glue each assembly slot



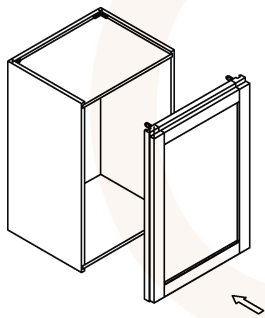
STEP 2



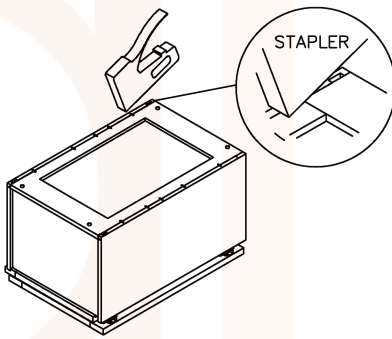
STEP 3



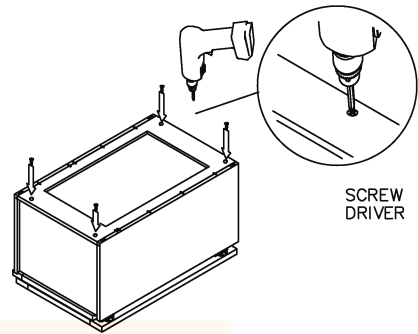
STEP 4



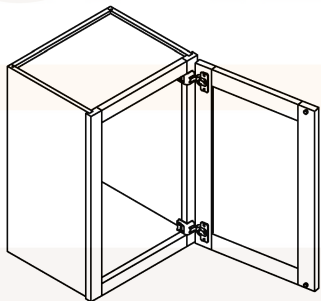
STEP 5



STEP 6

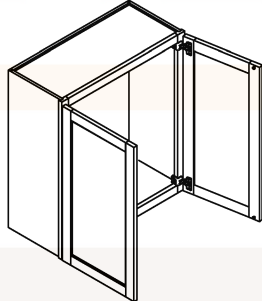


STEP 7

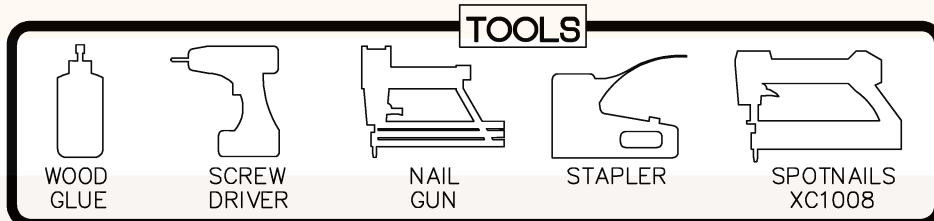
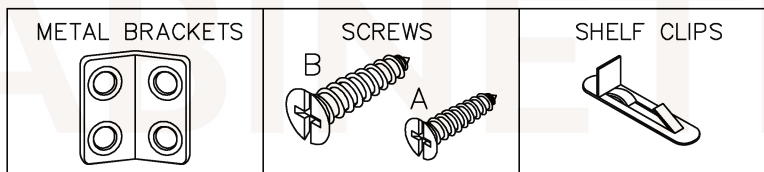
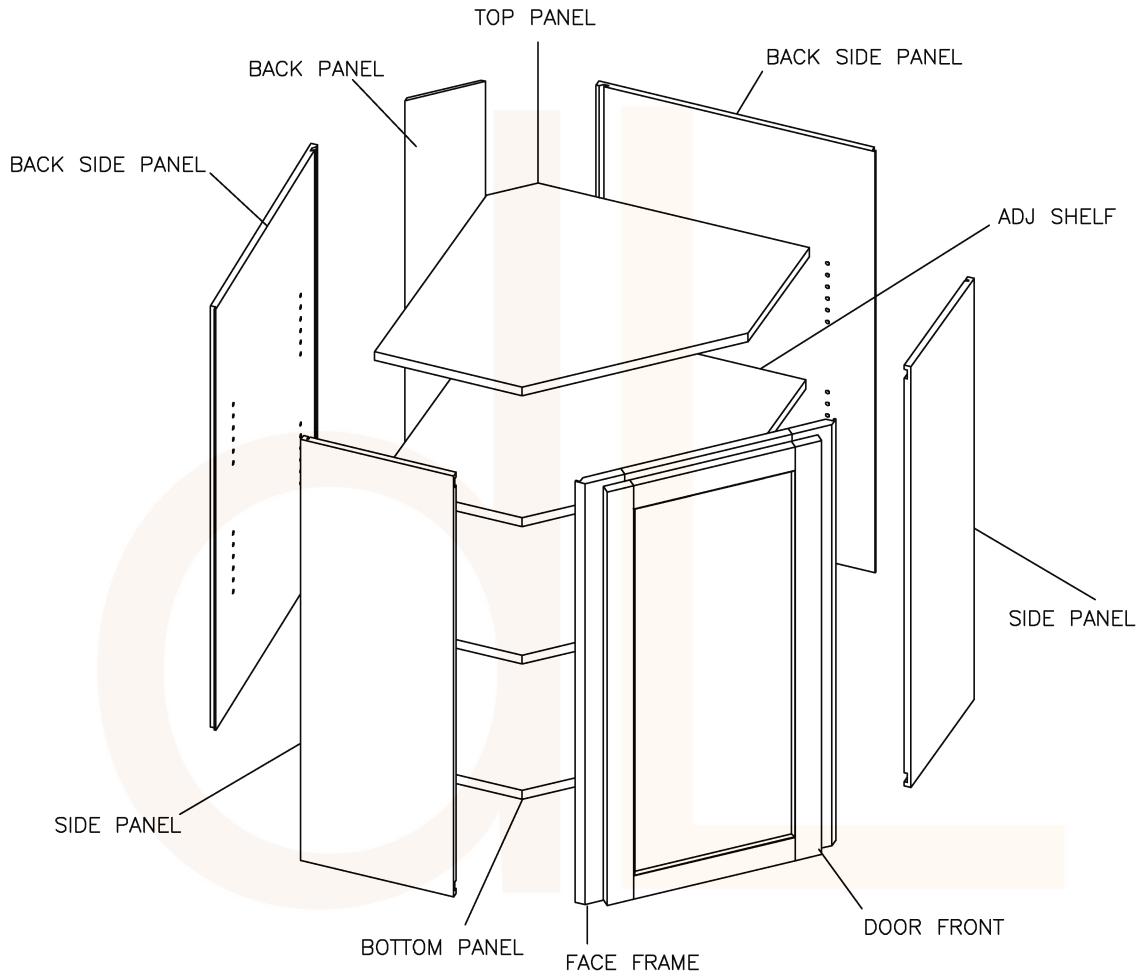


STEP 8

Double door installation method is the same as above

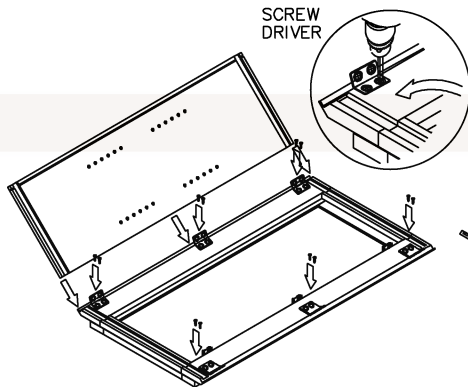


ASSEMBLY INSTRUCTIONS - WALL DIAGONAL CORNER CABINET

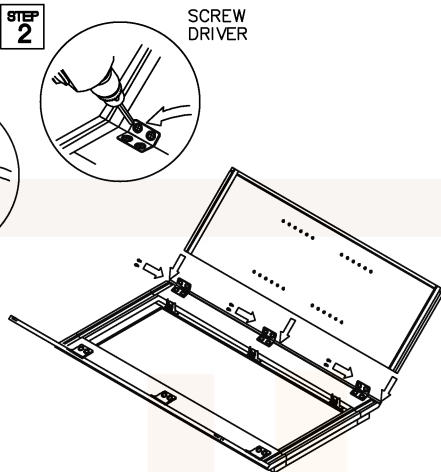


This instruction applies to the following items:
WDC243012, WDC243612, WDC244212

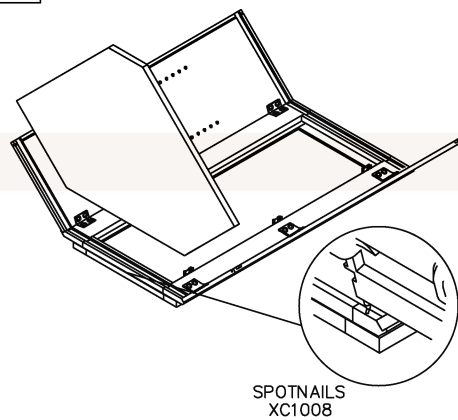
STEP 1



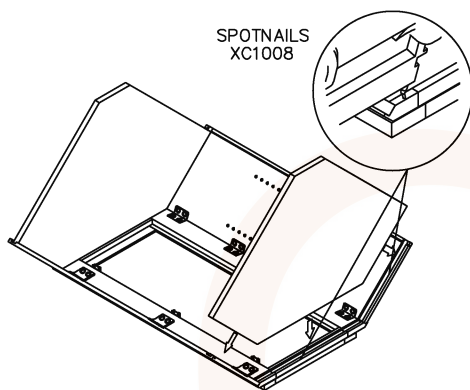
STEP 2



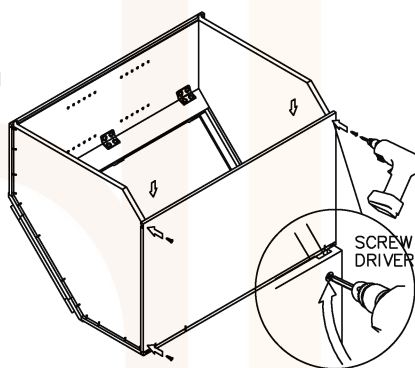
STEP 3



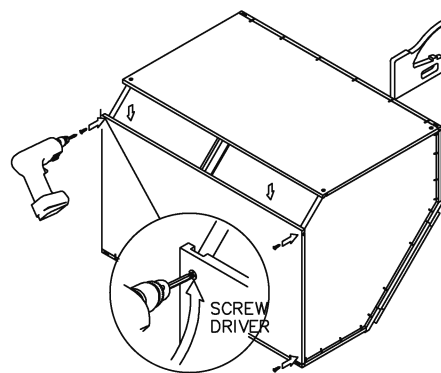
STEP 4



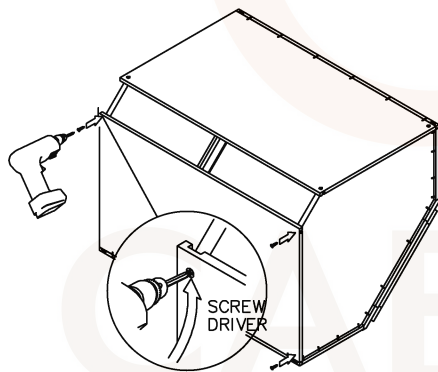
STEP 5



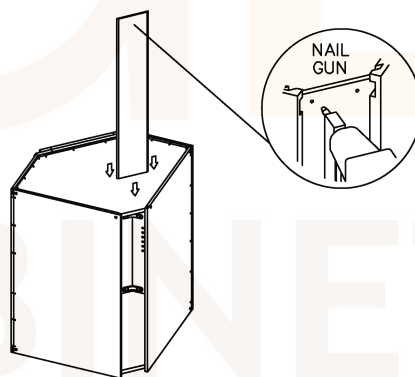
STEP 6



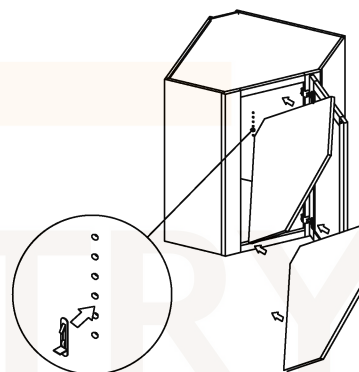
STEP 7



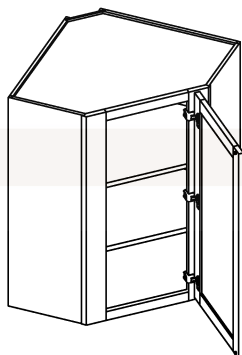
STEP 8



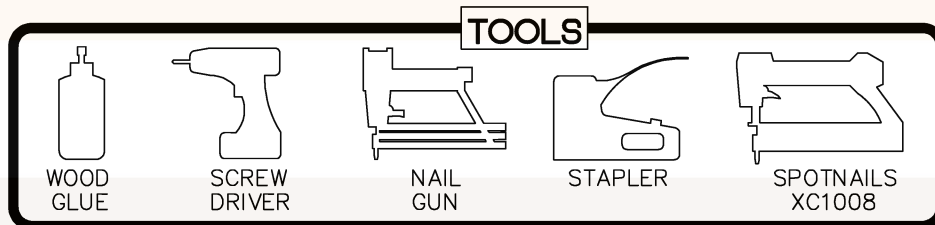
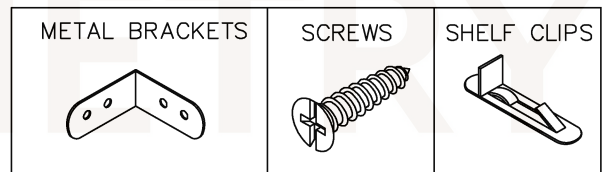
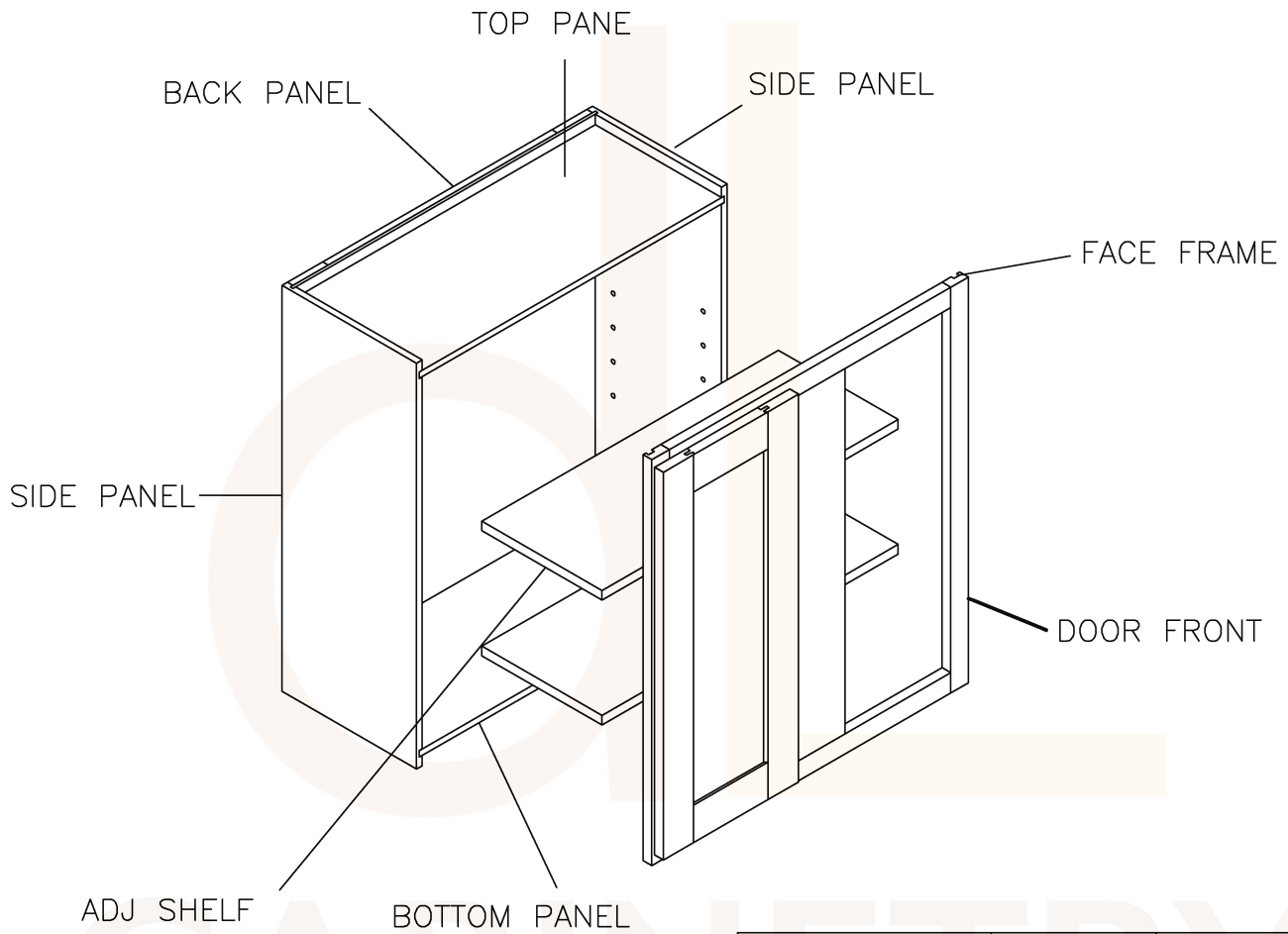
STEP 9



STEP 10

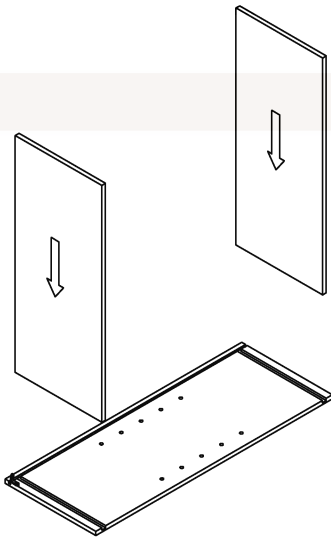


ASSEMBLY INSTRUCTIONS - WALL BLIND CORNER CABINET

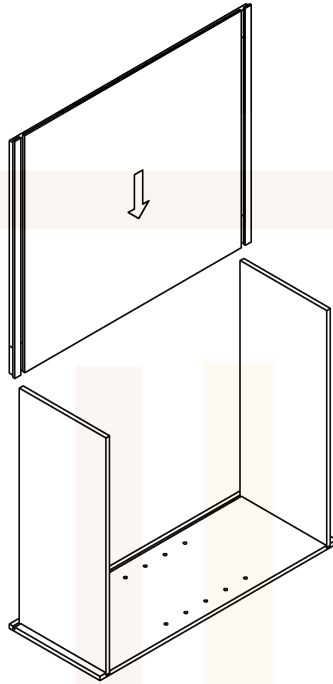


This instruction applies to the following items:
WBC2730-WBC2742

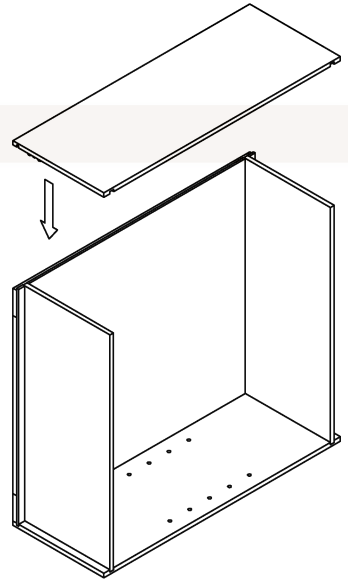
STEP 1



STEP 2



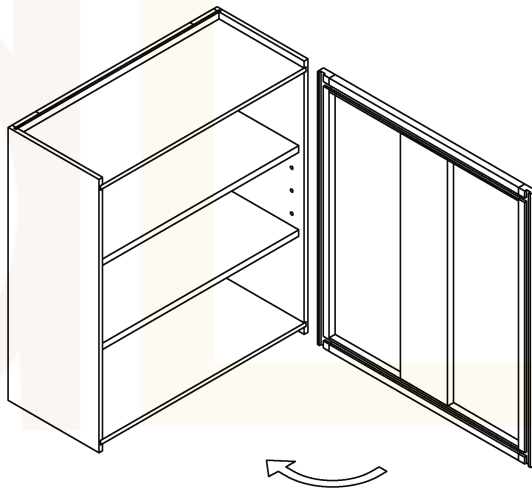
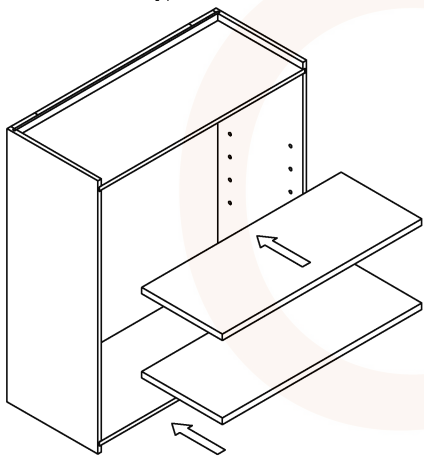
STEP 3



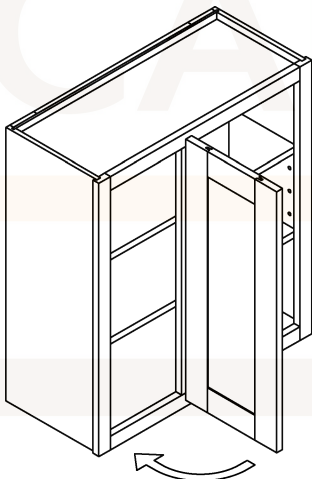
STEP 4

The number of adjustable shelf depends on the actual cabinet type

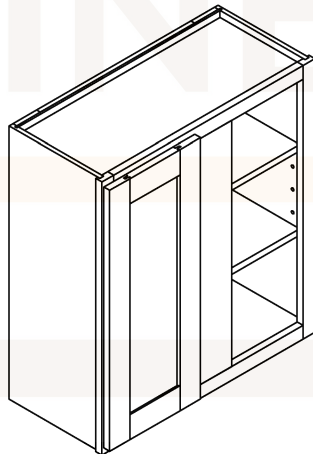
STEP 5



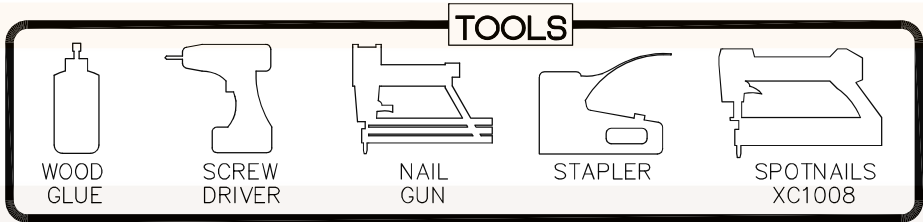
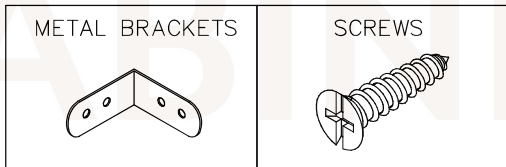
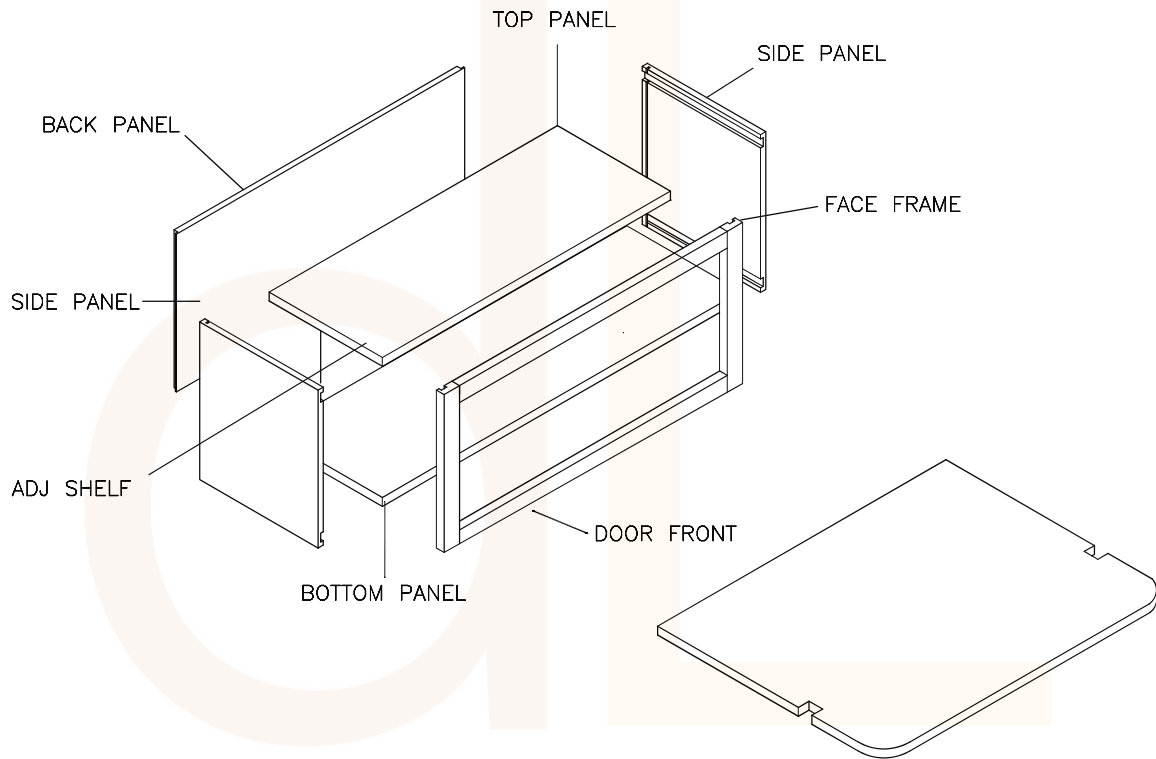
STEP 6



STEP 7



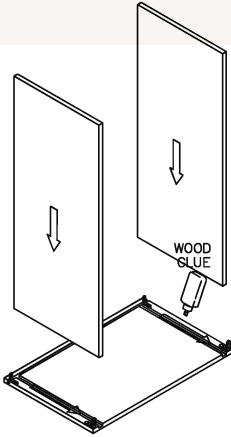
ASSEMBLY INSTRUCTIONS - WALL MICROWAVE CABINET



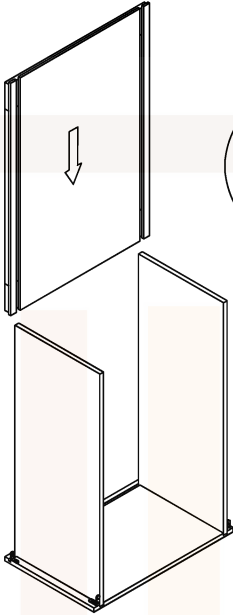
This instruction applies to the following items:
WMC3018

STEP 1

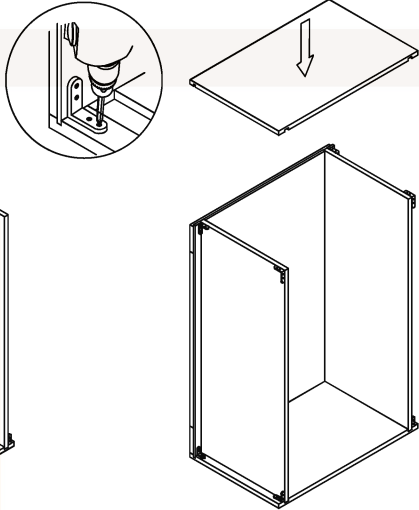
Glue each assembly slot



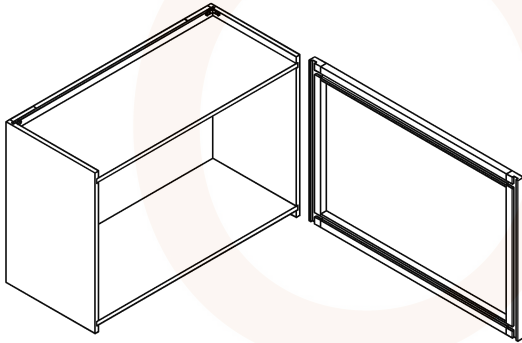
STEP 2



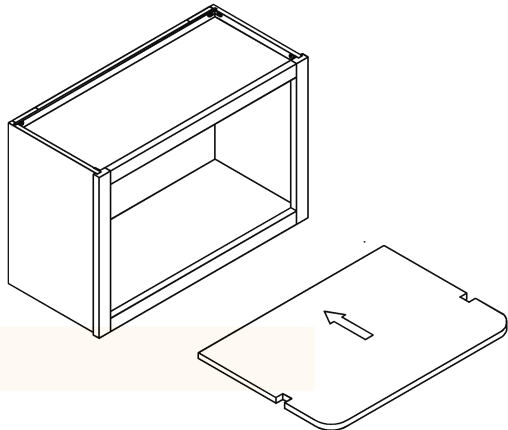
STEP 3



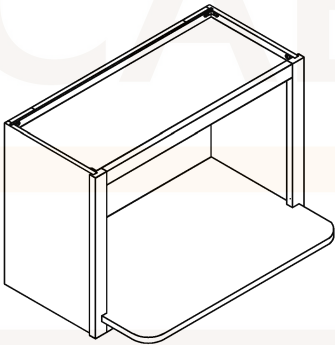
STEP 4



STEP 5

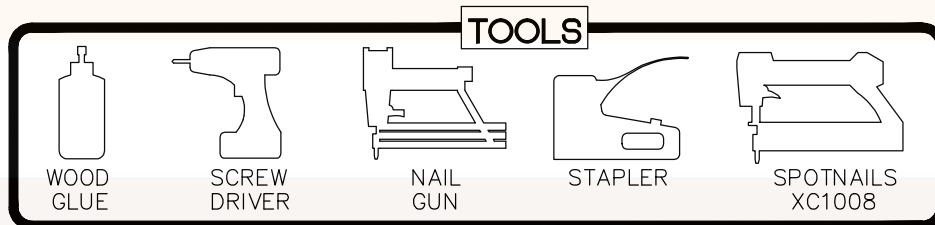
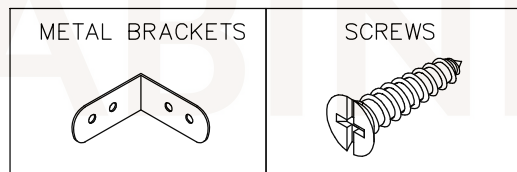
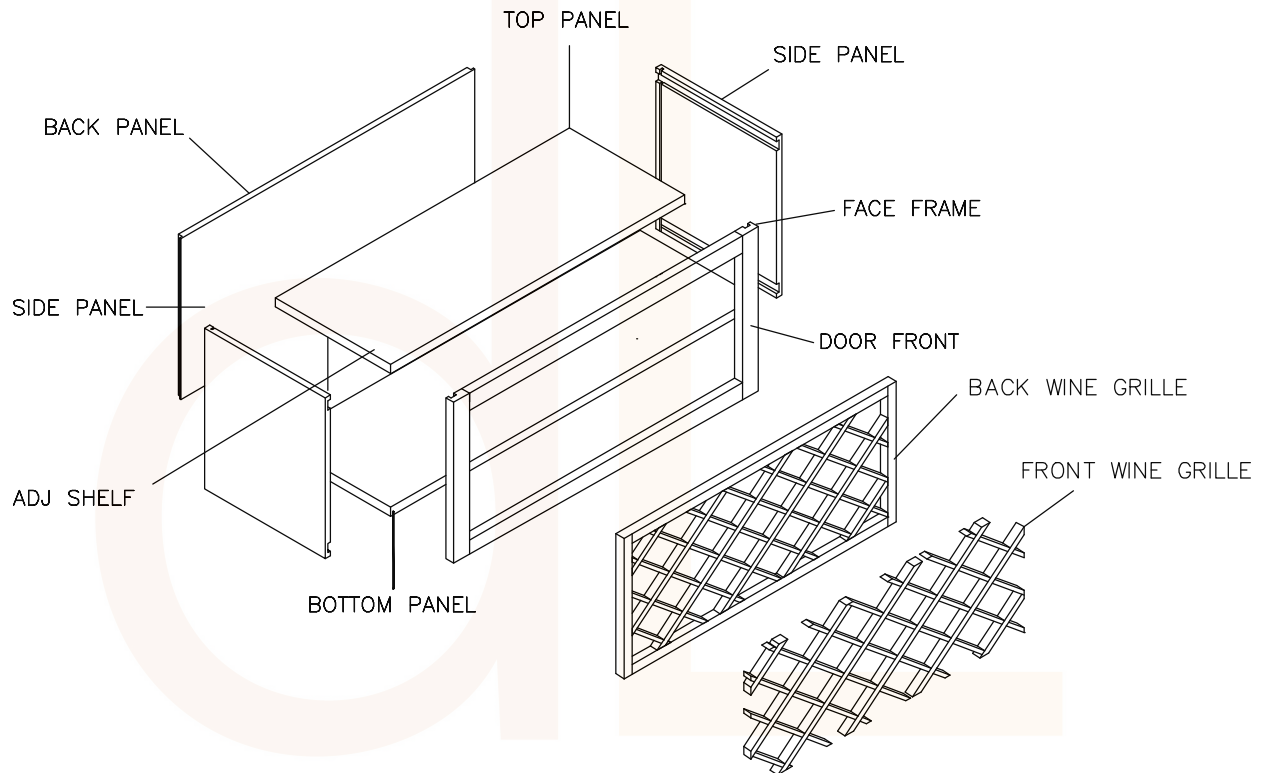


STEP 6



CABINETS

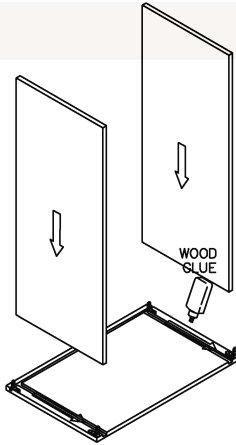
ASSEMBLY INSTRUCTIONS - WALL WINE RACK CABINET



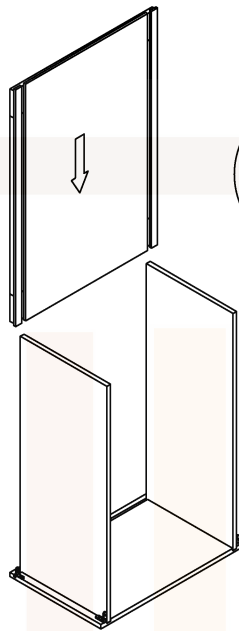
This instruction applies to the following items:
WRC3018

STEP 1

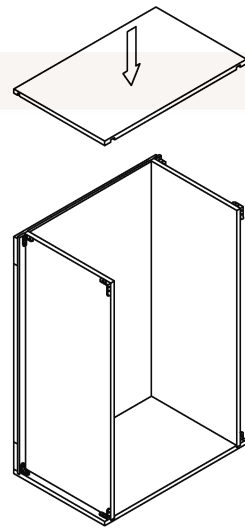
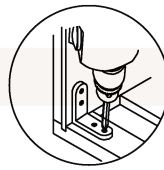
Glue each assembly slot



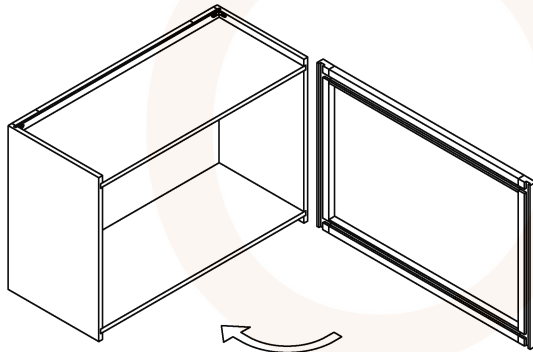
STEP 2



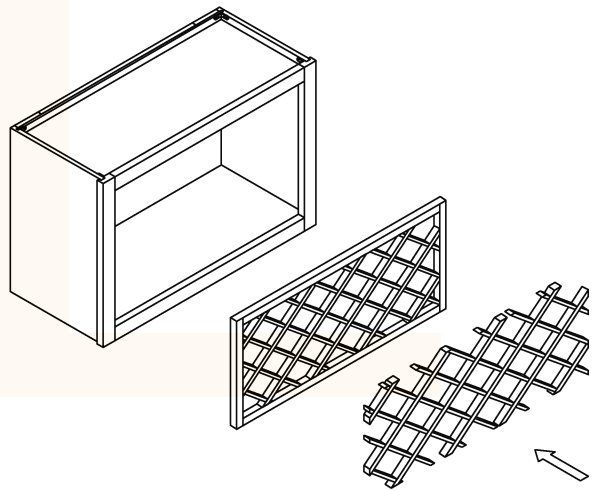
STEP 3



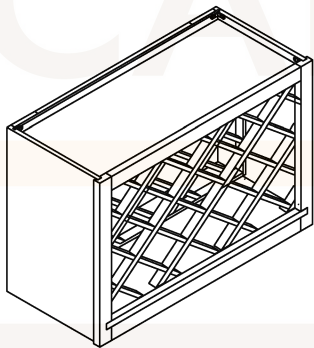
STEP 4



STEP 5

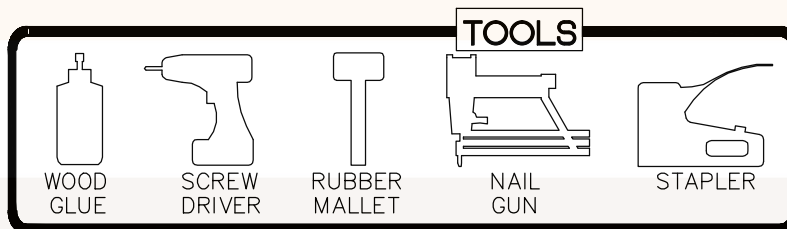
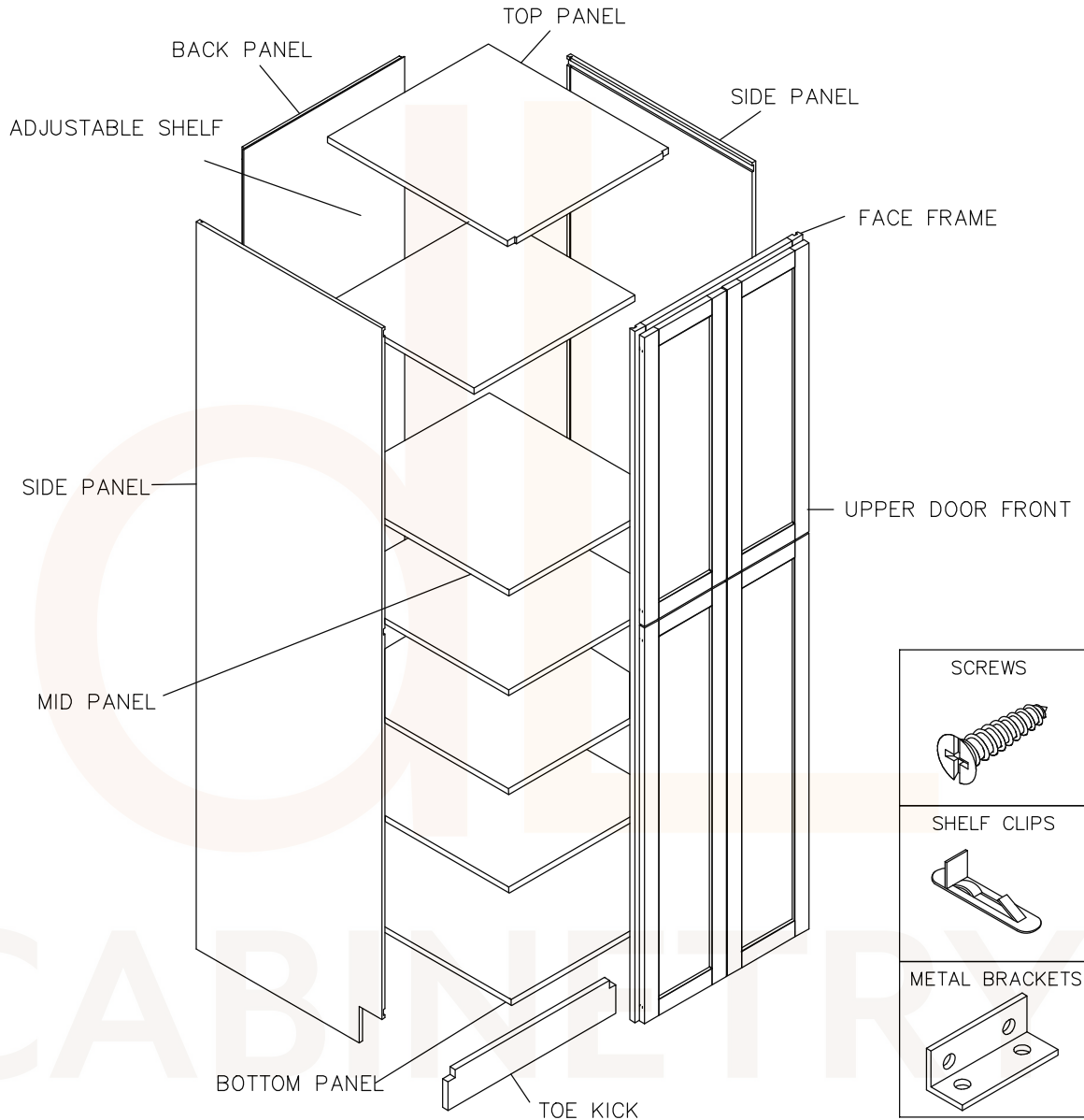


STEP 6



CABINETS

ASSEMBLY INSTRUCTIONS - WALL PANTRY CABINET

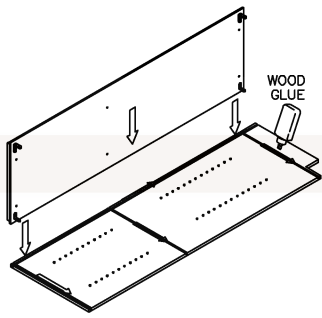


This instruction applies to the following items:

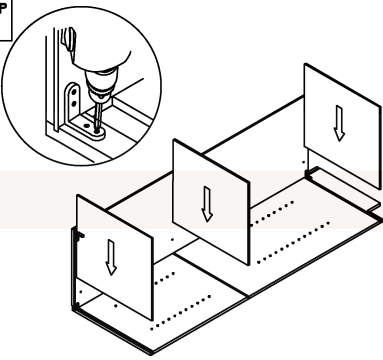
WP188427, WP248427, WP189027, WP249027, WP189627, WP249627
 WP308427, WP309027, WP309627,

STEP 1

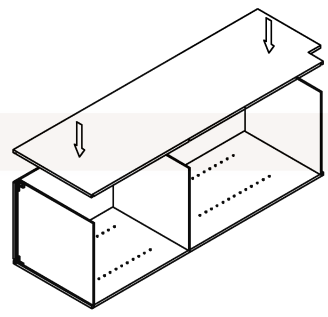
Glue each assembly slot



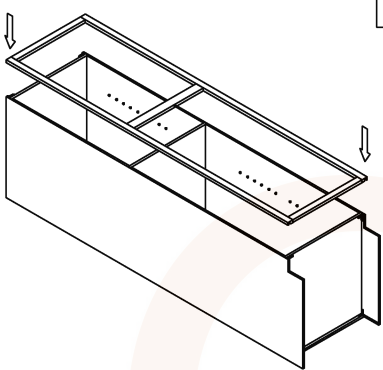
STEP 2



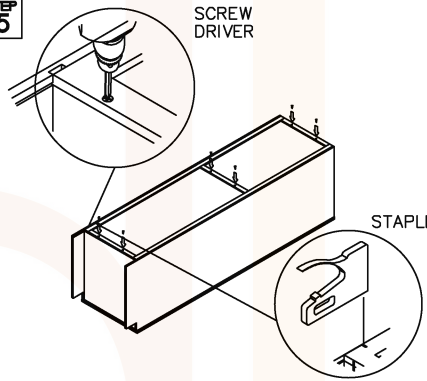
STEP 3



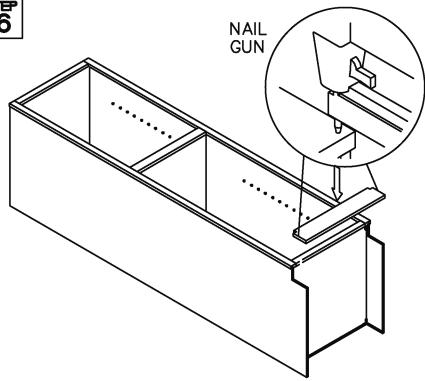
STEP 4



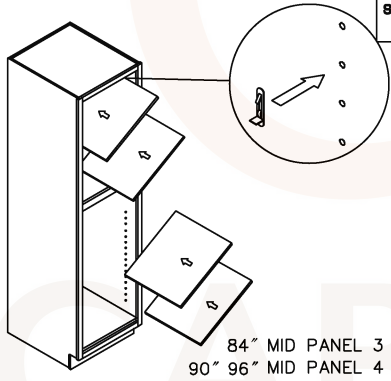
STEP 5



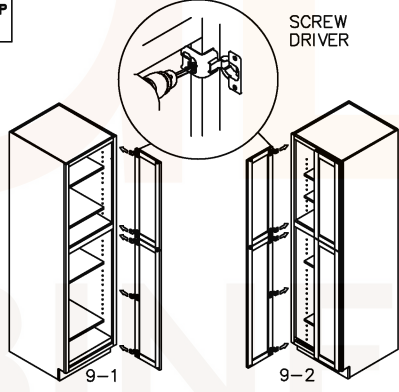
STEP 6



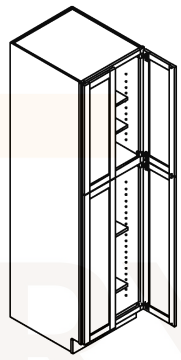
STEP 7



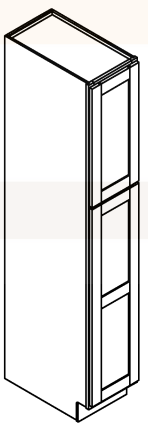
STEP 8



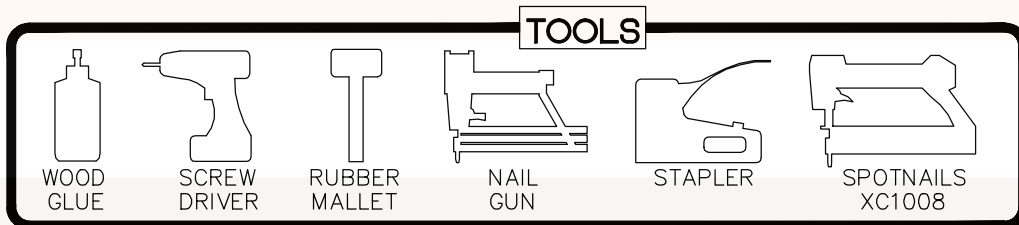
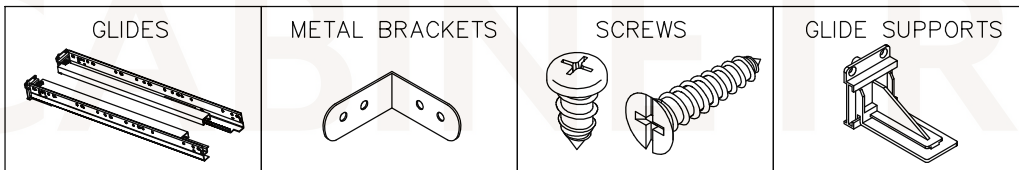
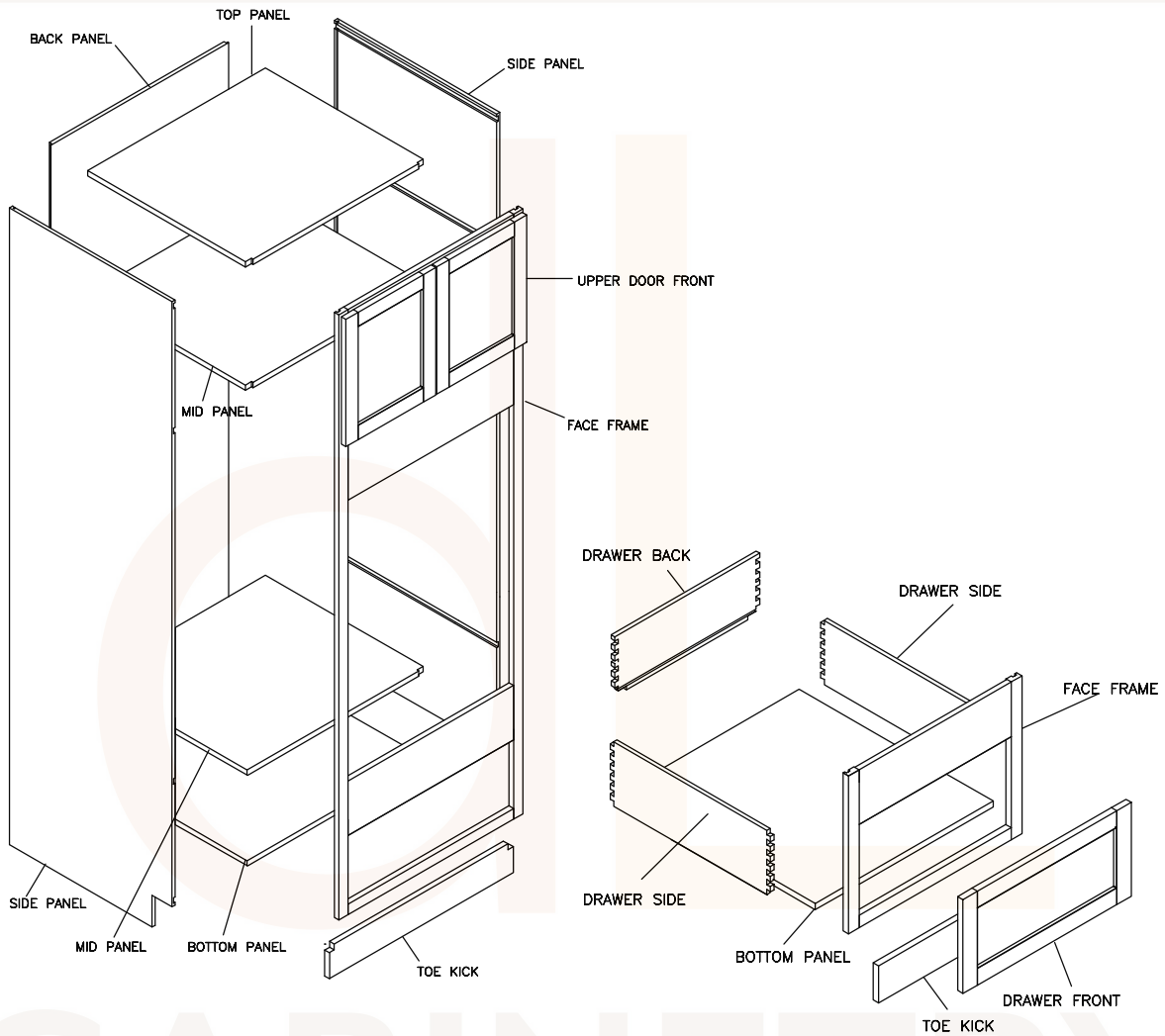
STEP 9



STEP 10



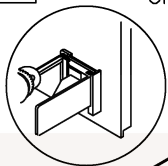
ASSEMBLY INSTRUCTIONS - DOUBLE OVEN CABINET



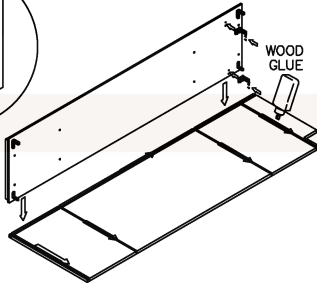
This instruction applies to the following items:
 OVD338427,OVD339027,OVD339627

STEP 1

Glue each assembly slot

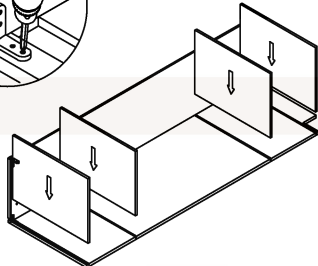
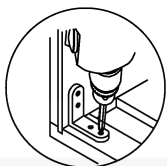


SCREW DRIVER

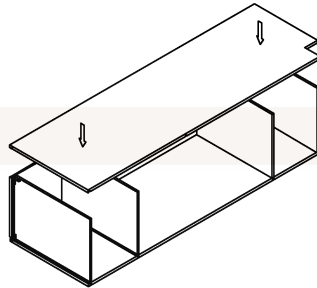


STEP 2

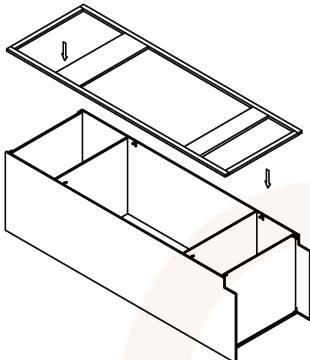
WOOD GLUE



STEP 3

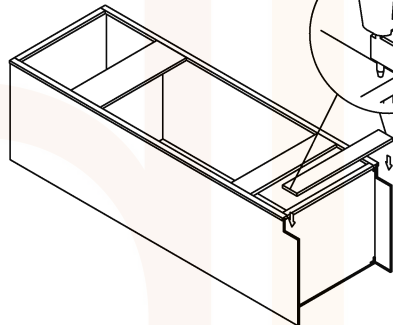
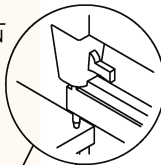


STEP 4



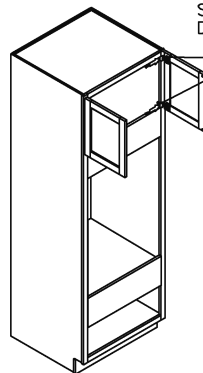
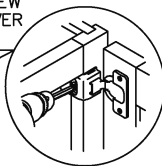
STEP 5

NAIL GUN



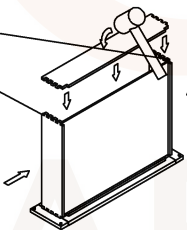
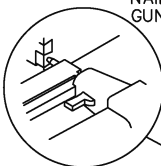
STEP 6

SCREW DRIVER

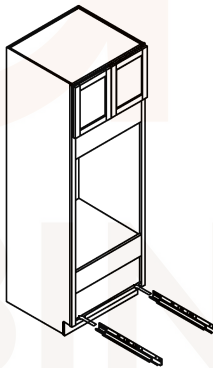
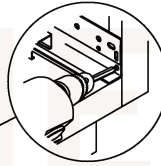
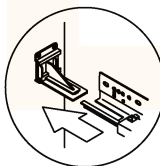


STEP 7

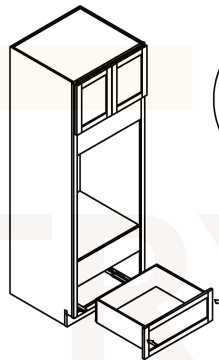
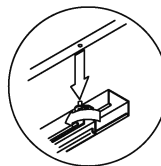
NAIL GUN



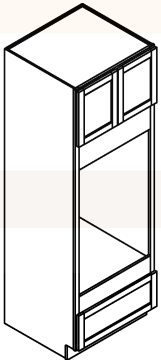
STEP 8



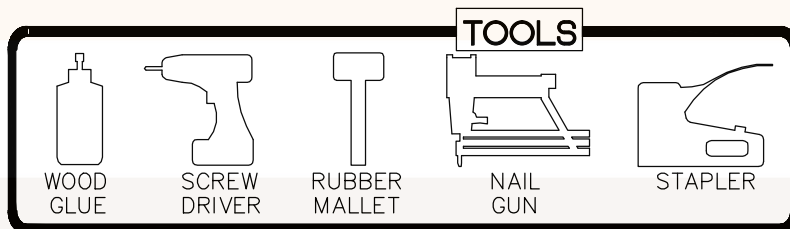
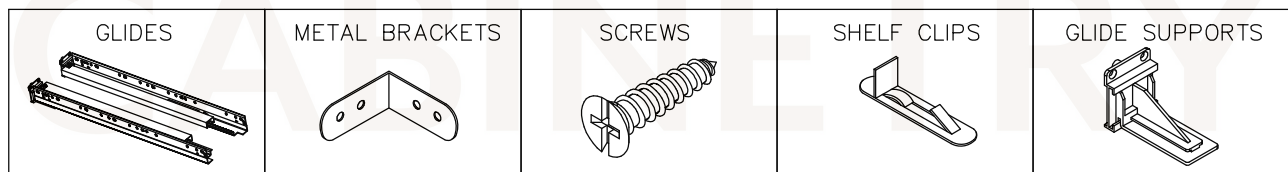
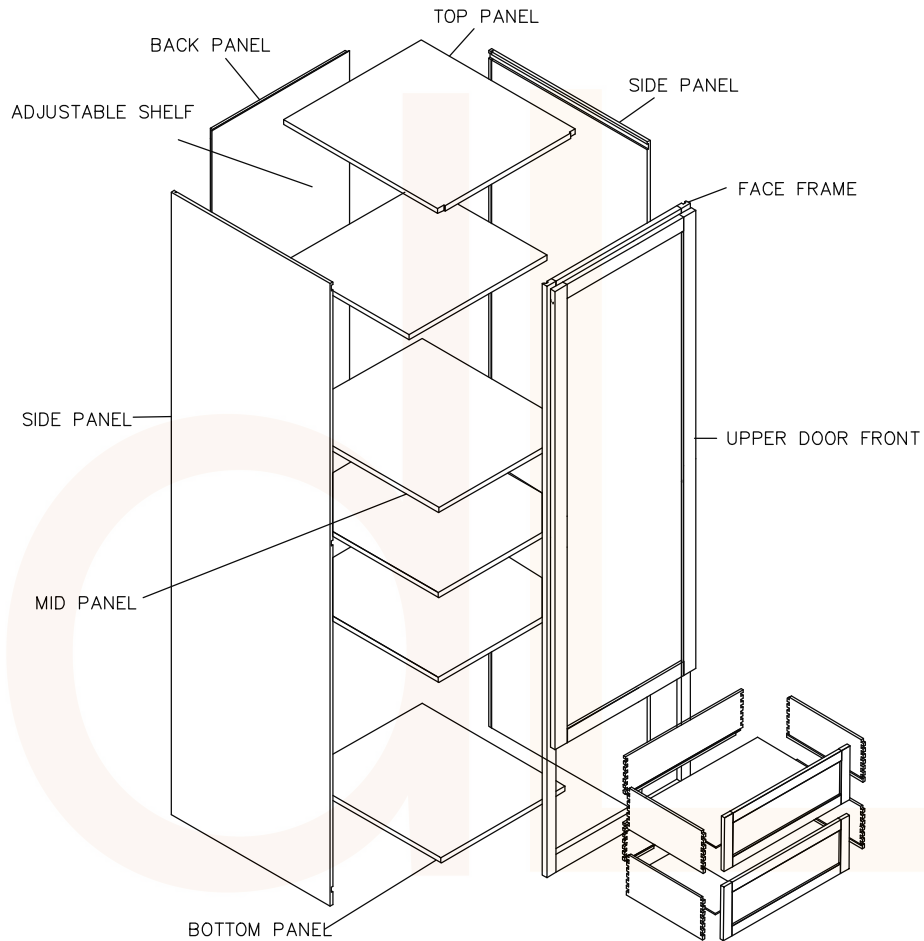
STEP 9



STEP 10



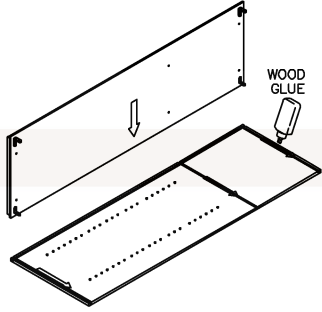
ASSEMBLY INSTRUCTIONS - COUNTER LINEN CABINET



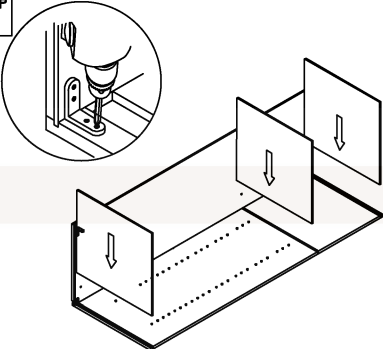
This instruction applies to the following items:
CL156012

STEP 1

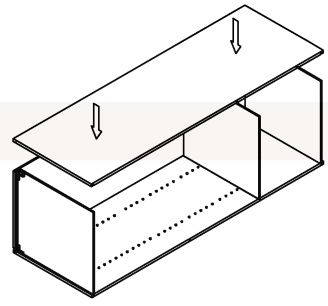
Glue each assembly slot



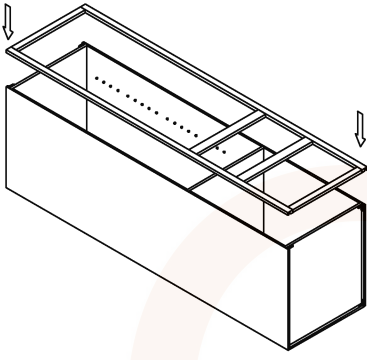
STEP 2



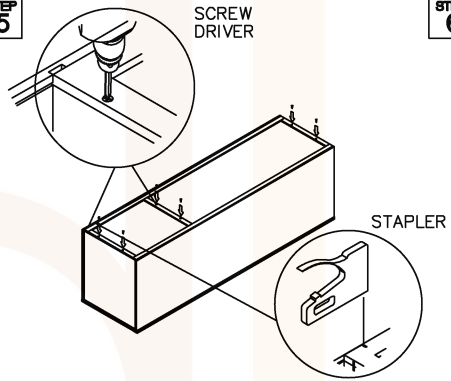
STEP 3



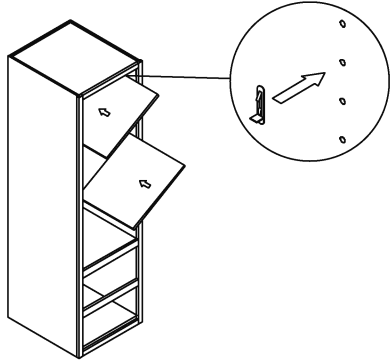
STEP 4



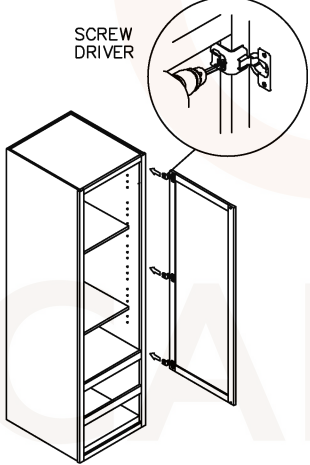
STEP 5



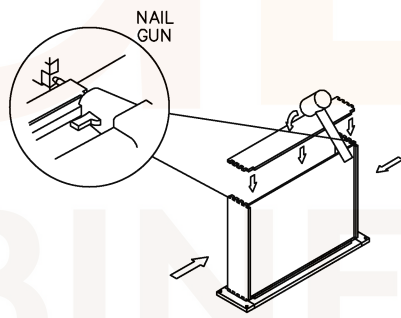
STEP 6



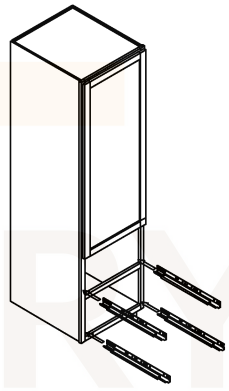
STEP 7



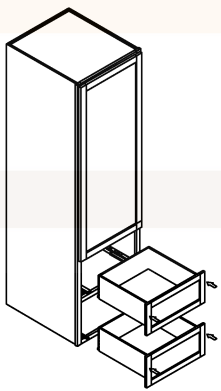
STEP 8



STEP 9



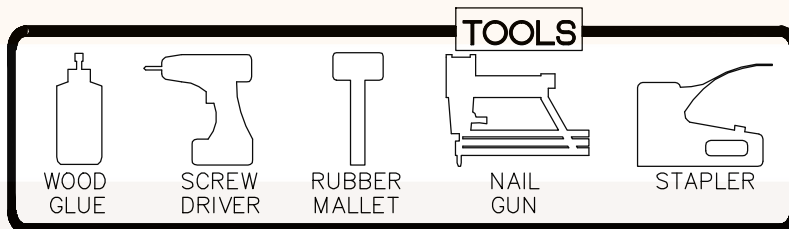
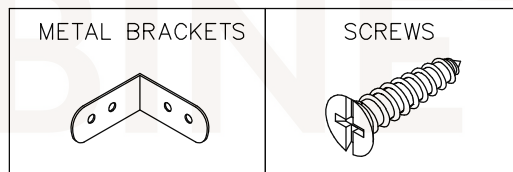
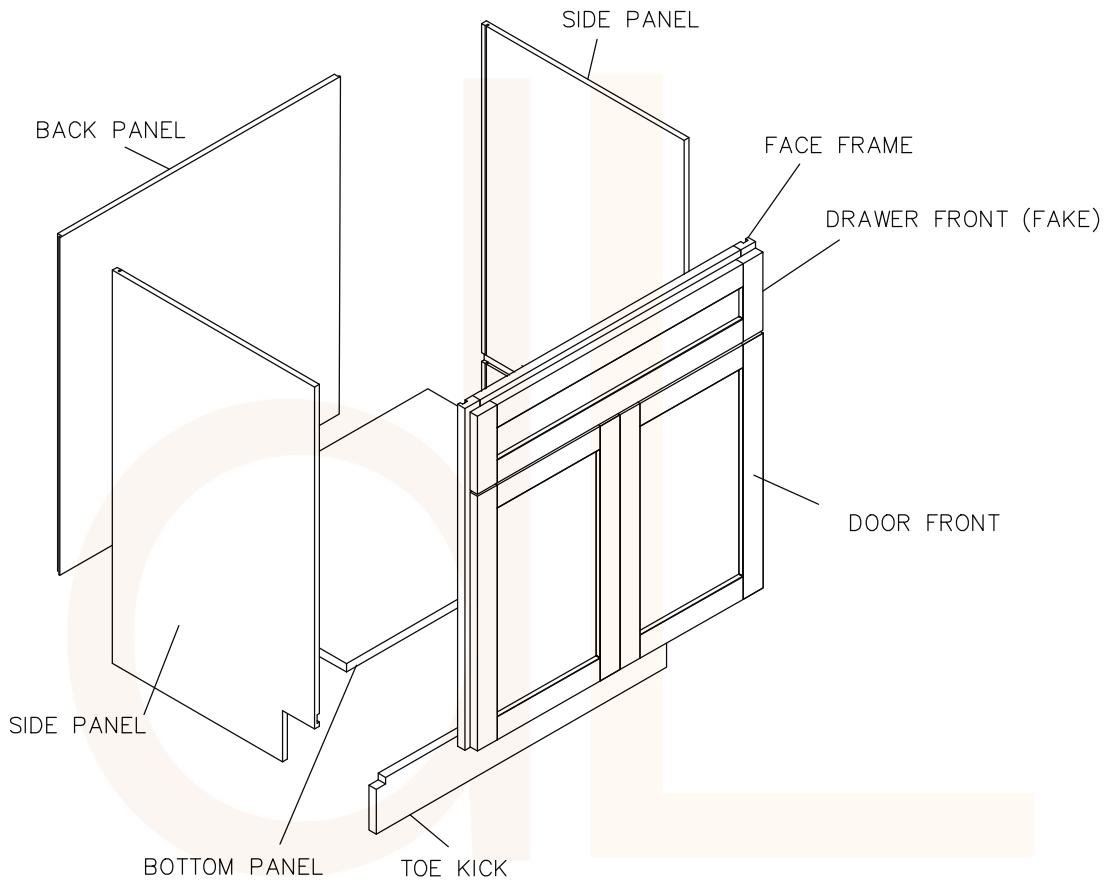
STEP 10



STEP 11

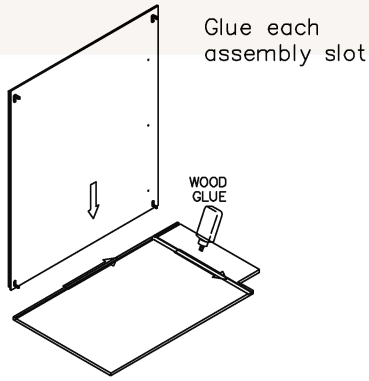


ASSEMBLY INSTRUCTIONS - VANITY CABINET

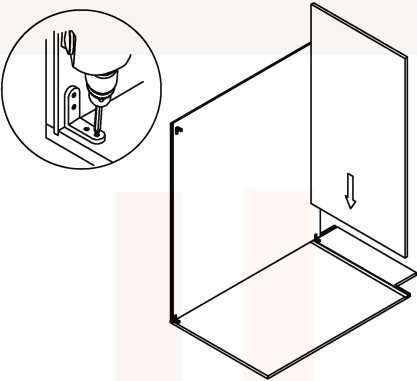


This instruction applies to the following items:
VAN24-VAN30 (Single false drawer)
VSB36 (Double false drawers)

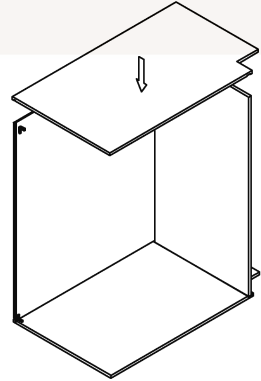
STEP 1



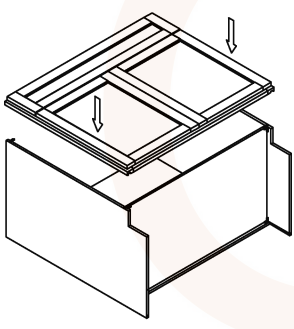
STEP 2



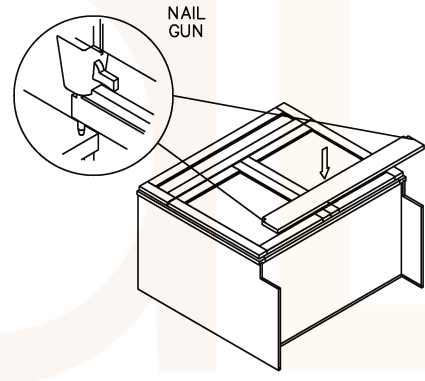
STEP 3



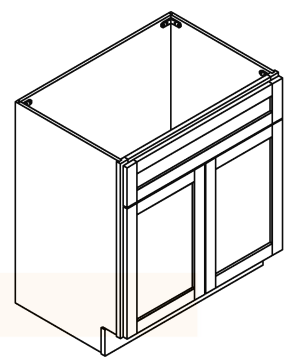
STEP 4



STEP 5

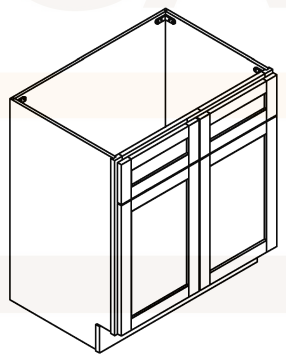


STEP 6



(Single false drawer)

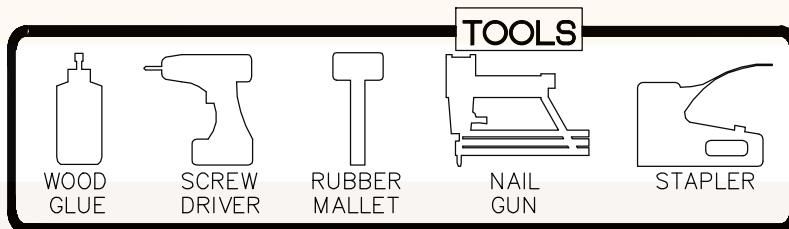
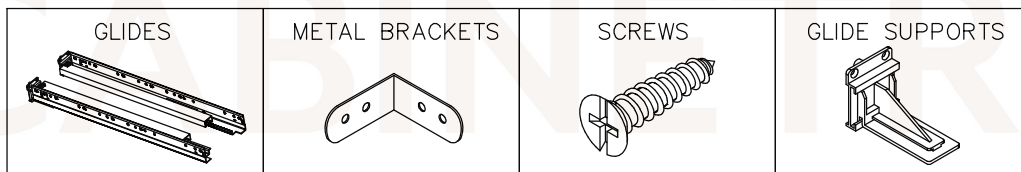
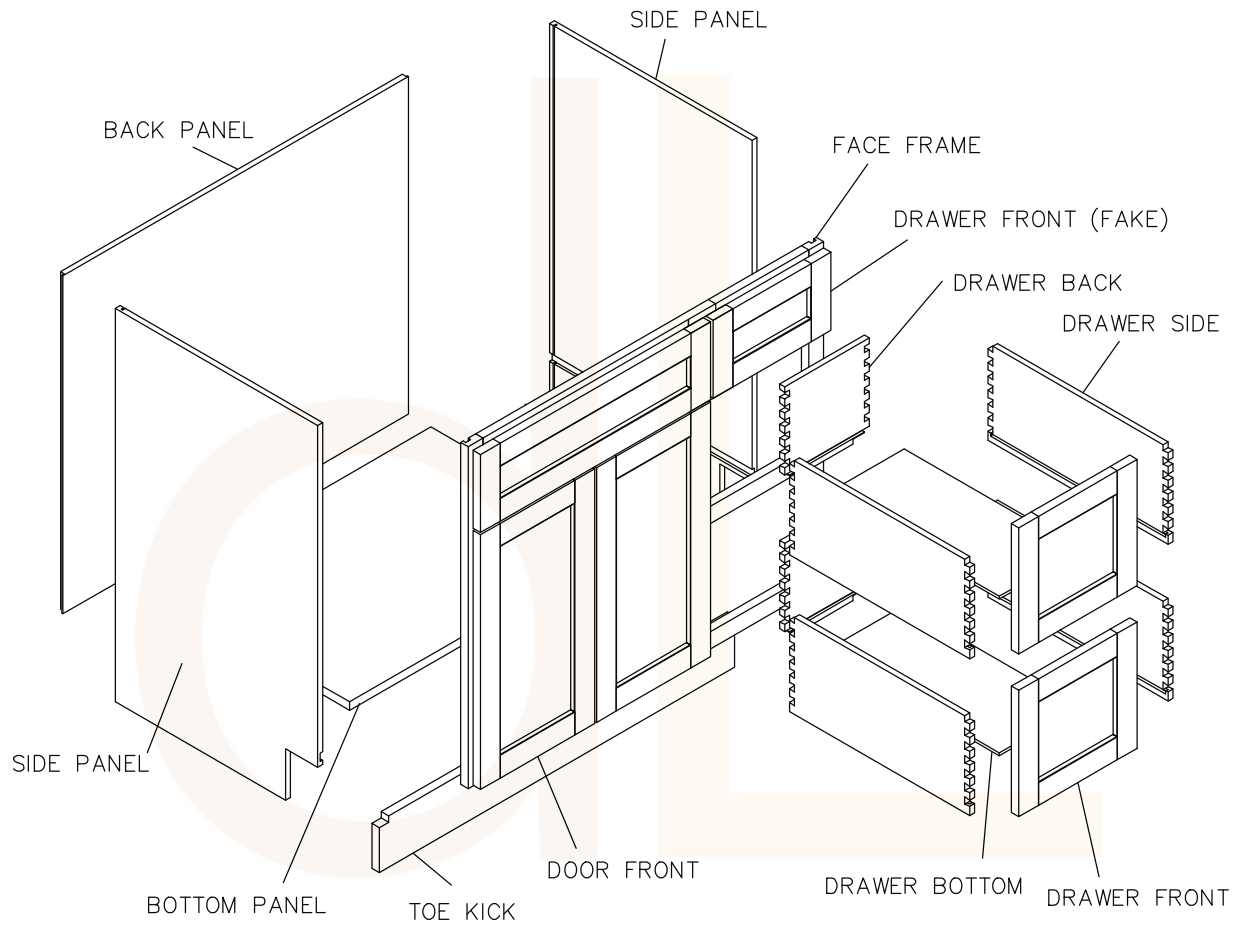
STEP 7



(Double false drawers)

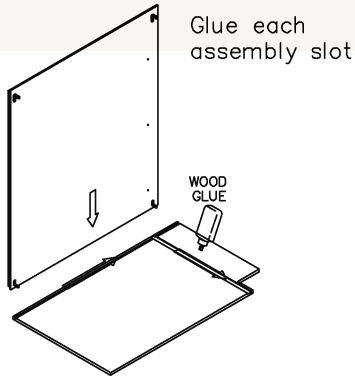
CABINETS

ASSEMBLY INSTRUCTIONS - VANITY CABINET (WITH 2 DRAWERS)

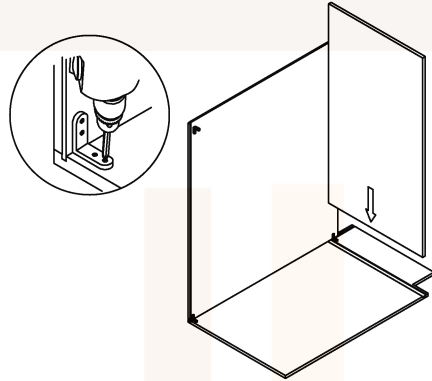


This instruction applies to the following items:
VAN36DL, VAN36DR , VAN42DL, VAN42DR

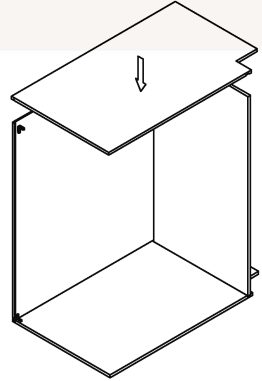
STEP 1



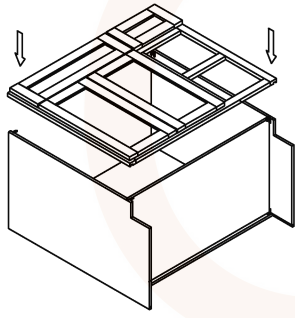
STEP 2



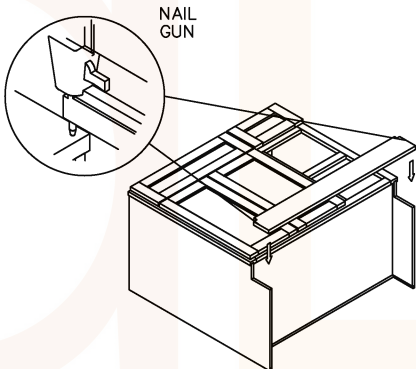
STEP 3



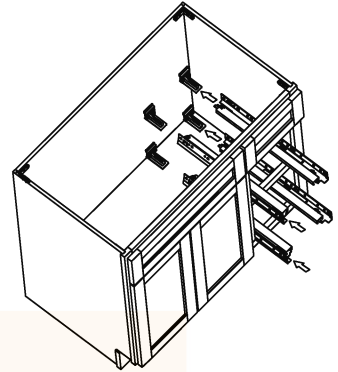
STEP 4



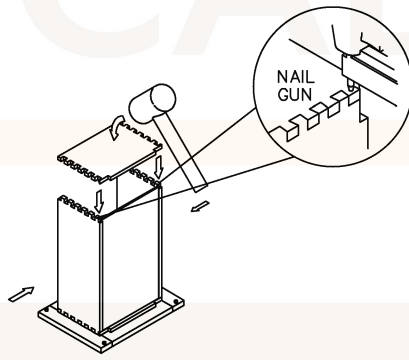
STEP 5



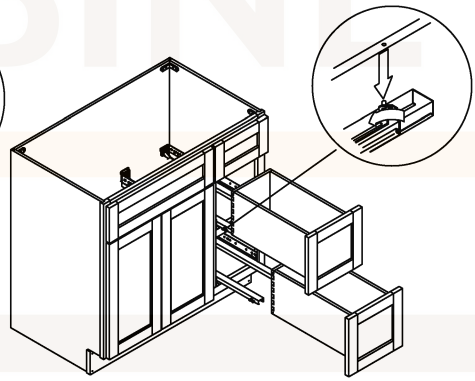
STEP 6



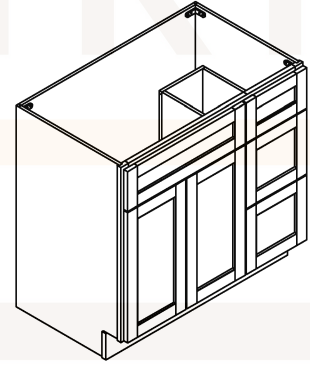
STEP 7



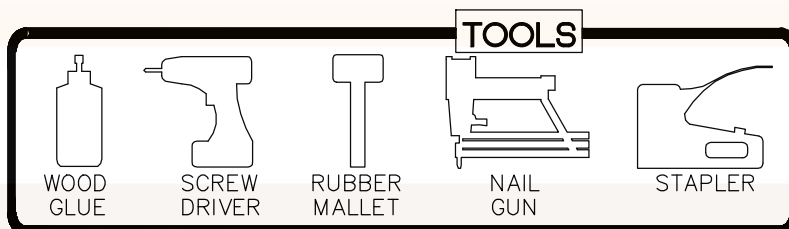
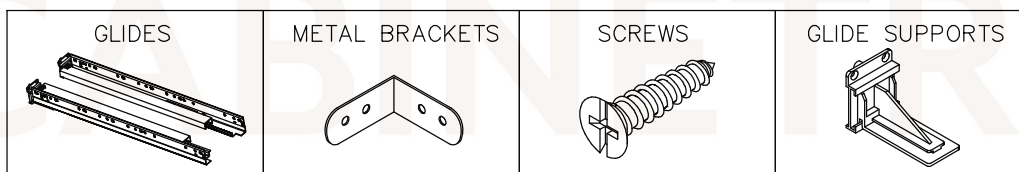
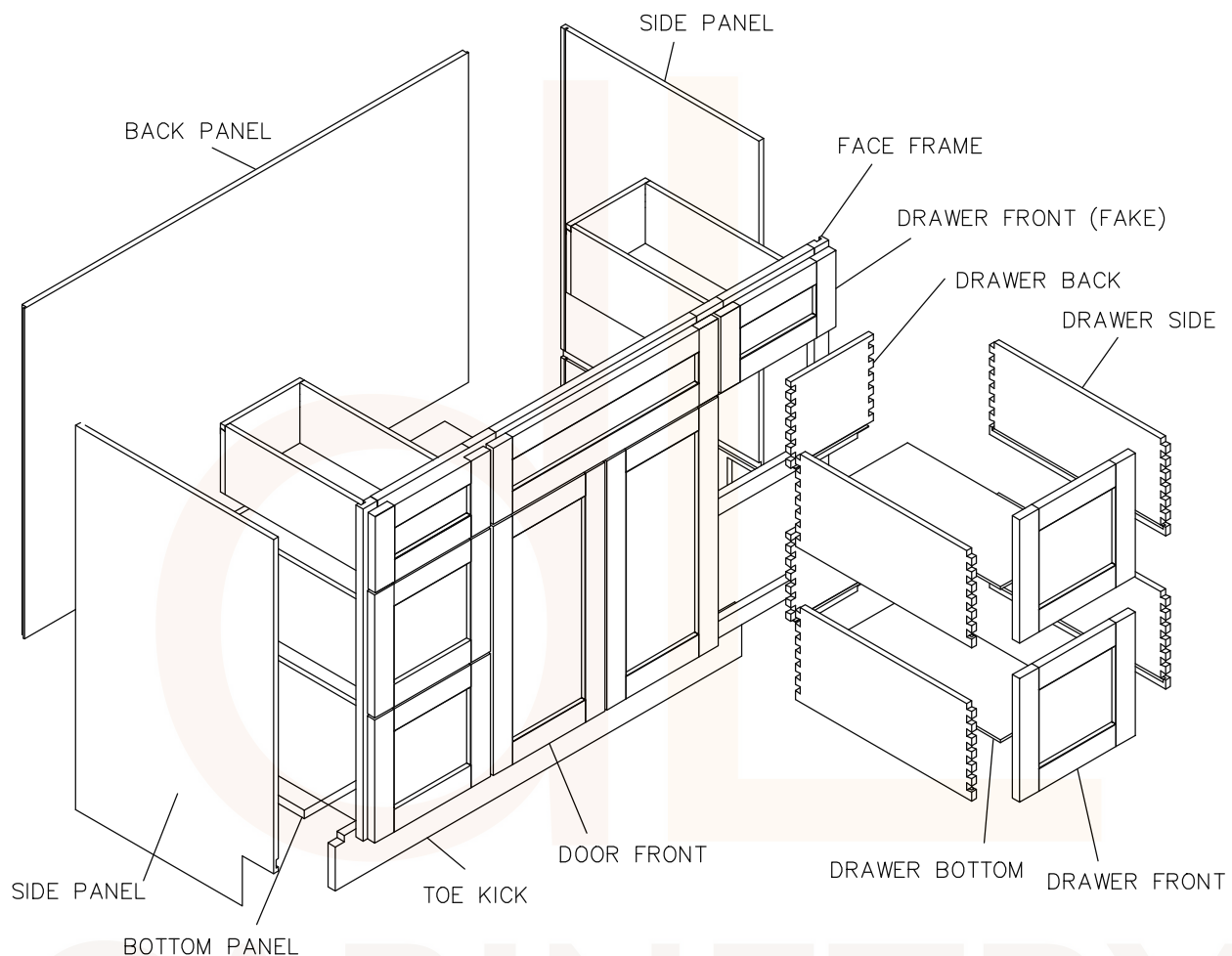
STEP 8



STEP 9

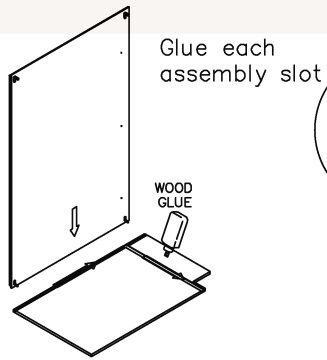


ASSEMBLY INSTRUCTIONS - VANITY CABINET (WITH 6 DRAWERS)

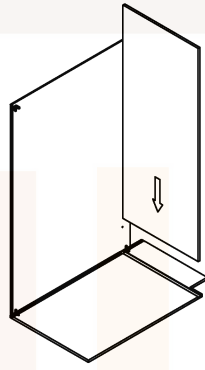


This instruction applies to the following items:
VAN48D-6, VAN60D-6

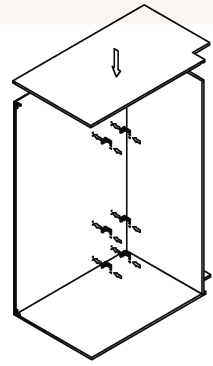
STEP 1



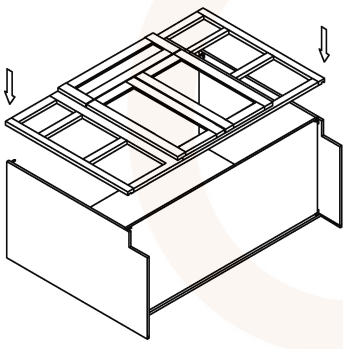
STEP 2



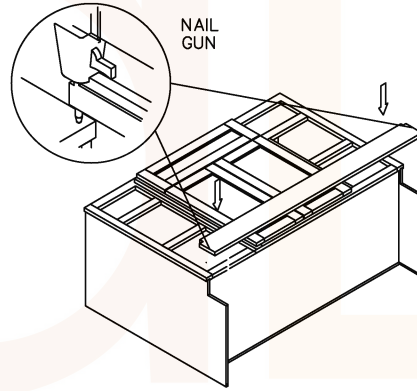
STEP 3



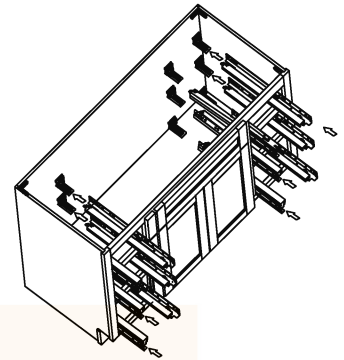
STEP 4



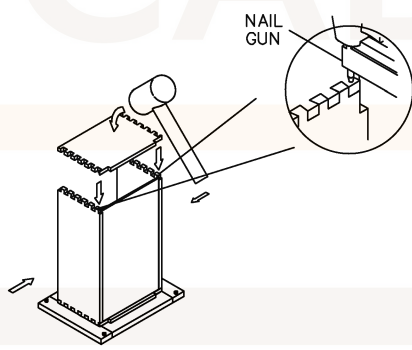
STEP 5



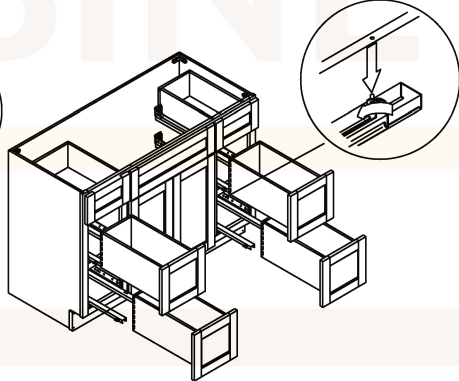
STEP 6



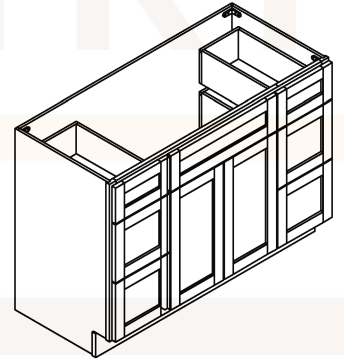
STEP 7



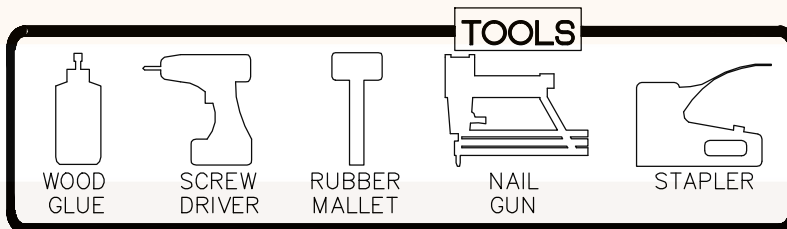
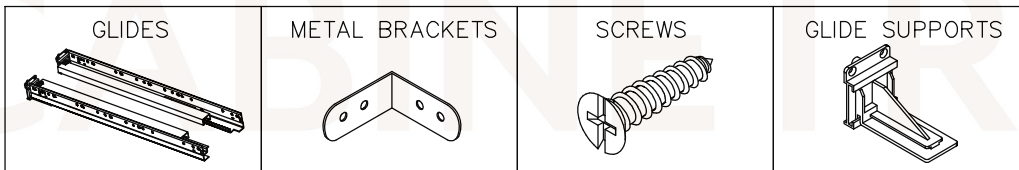
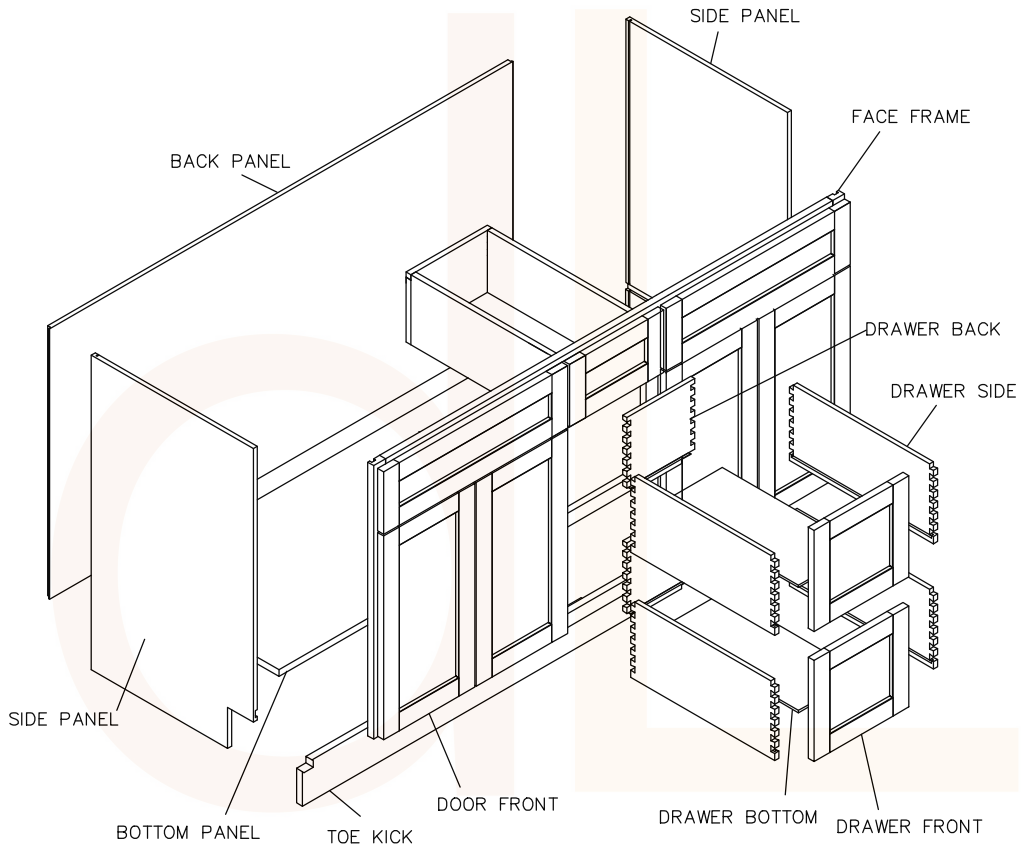
STEP 8



STEP 9

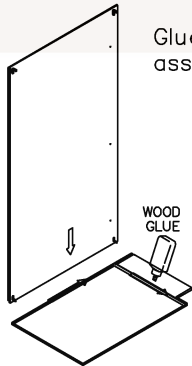


ASSEMBLY INSTRUCTIONS - VANITY CABINET (WITH 3 DRAWERS)



This instruction applies to the following items:
VAN60DD-3

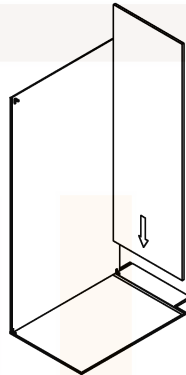
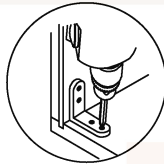
STEP 1



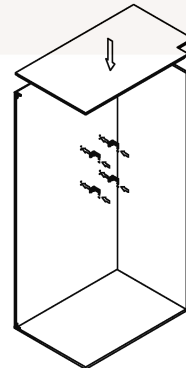
Glue each assembly slot

WOOD GLUE

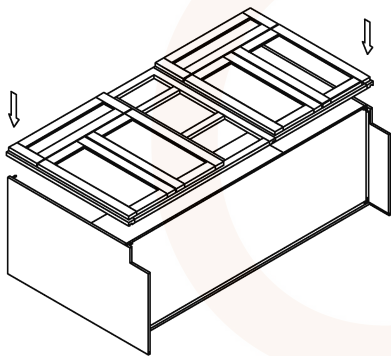
STEP 2



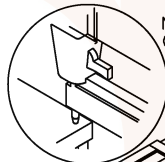
STEP 3



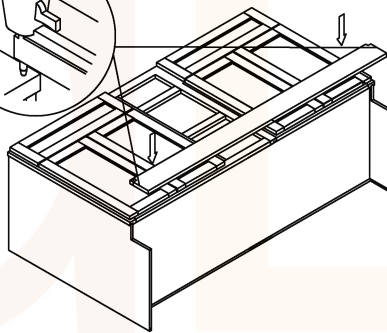
STEP 4



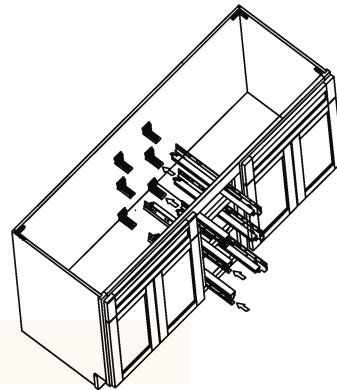
STEP 5



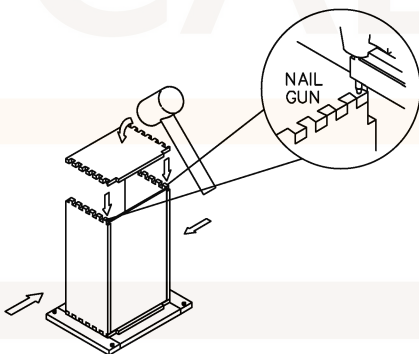
NAIL GUN



STEP 6

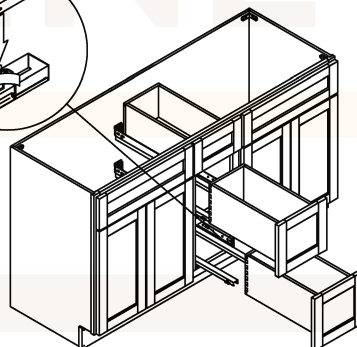
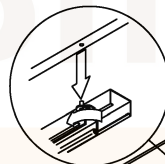


STEP 7

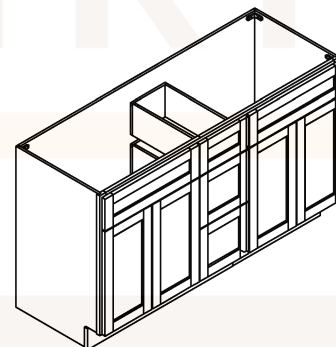


NAIL GUN

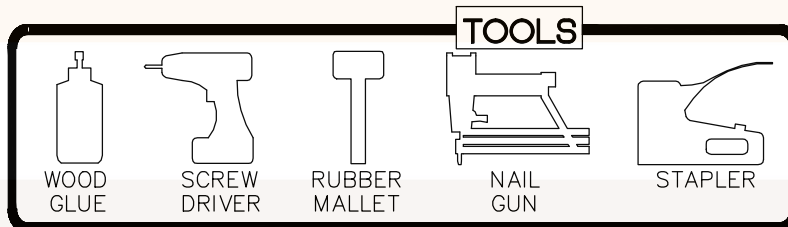
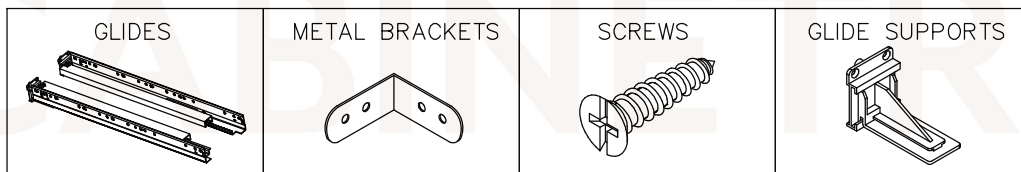
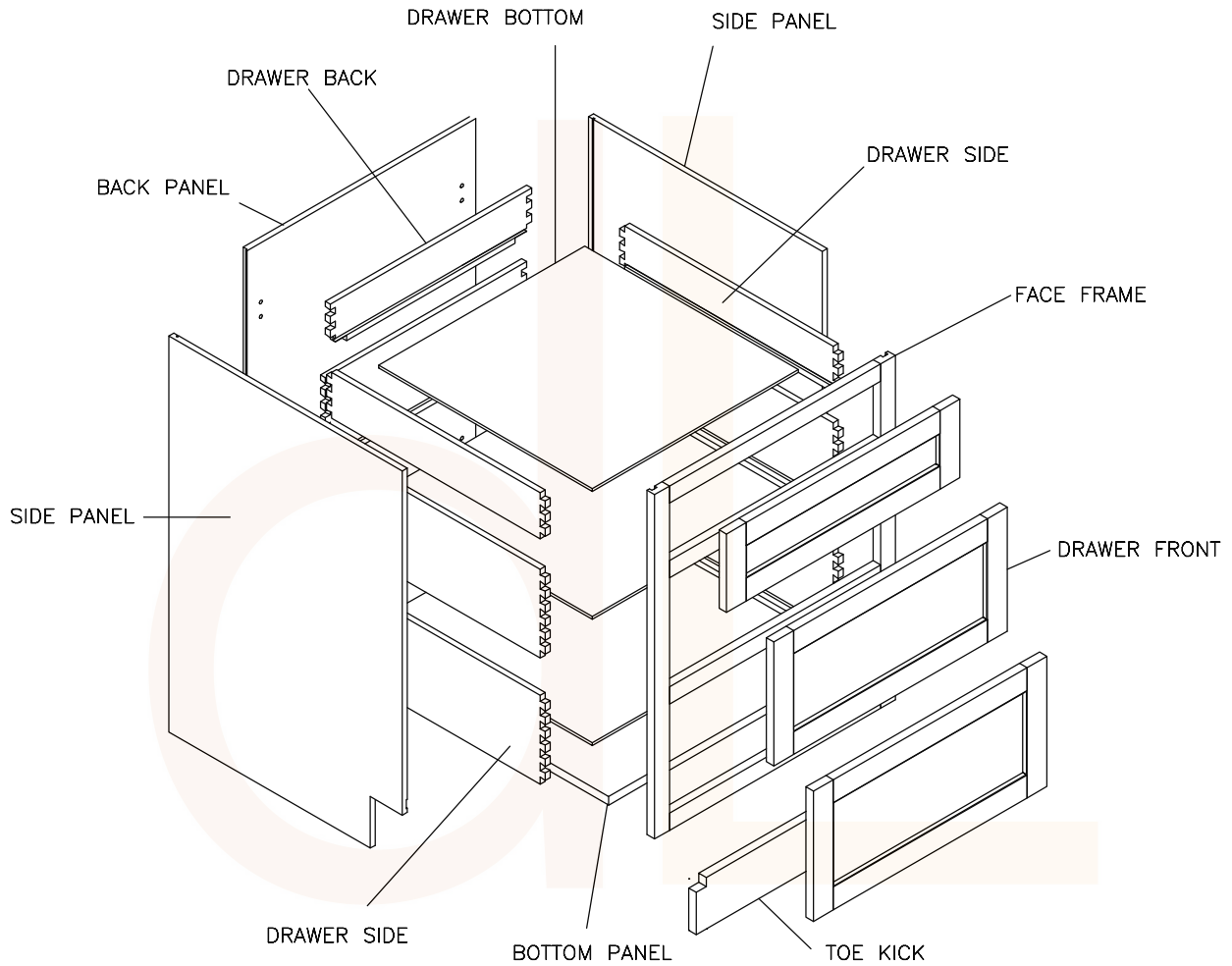
STEP 8



STEP 9



ASSEMBLY INSTRUCTIONS - VANITY DRAWER BASE CABINET (3 DRAWERS)



This instruction applies to the following items:

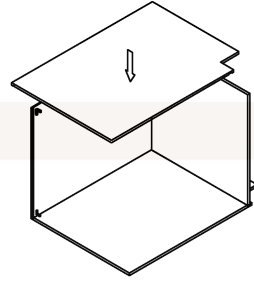
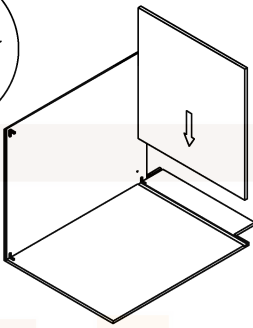
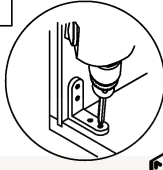
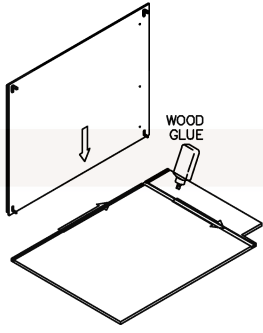
VDB12、VDB15、VDB18、VDB24

STEP 1

Glue each assembly slot

STEP 2

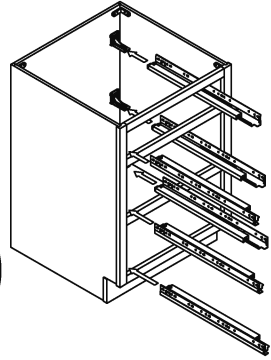
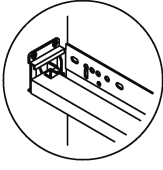
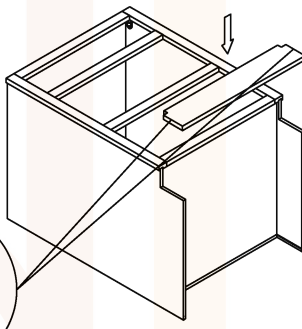
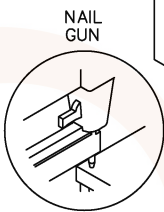
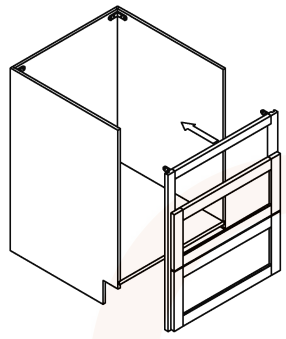
STEP 3



STEP 4

STEP 5

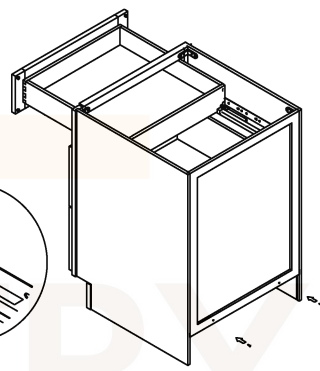
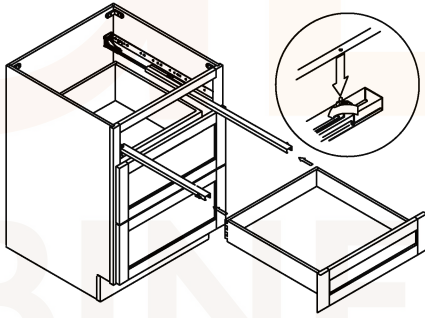
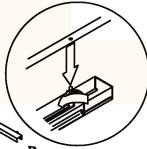
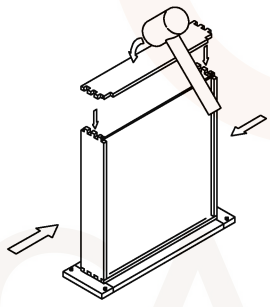
STEP 6



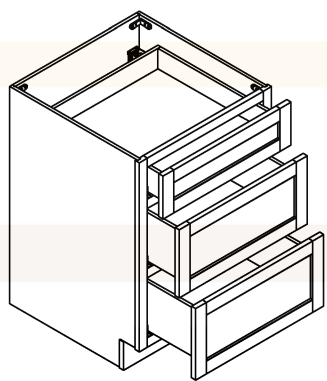
STEP 7

STEP 8

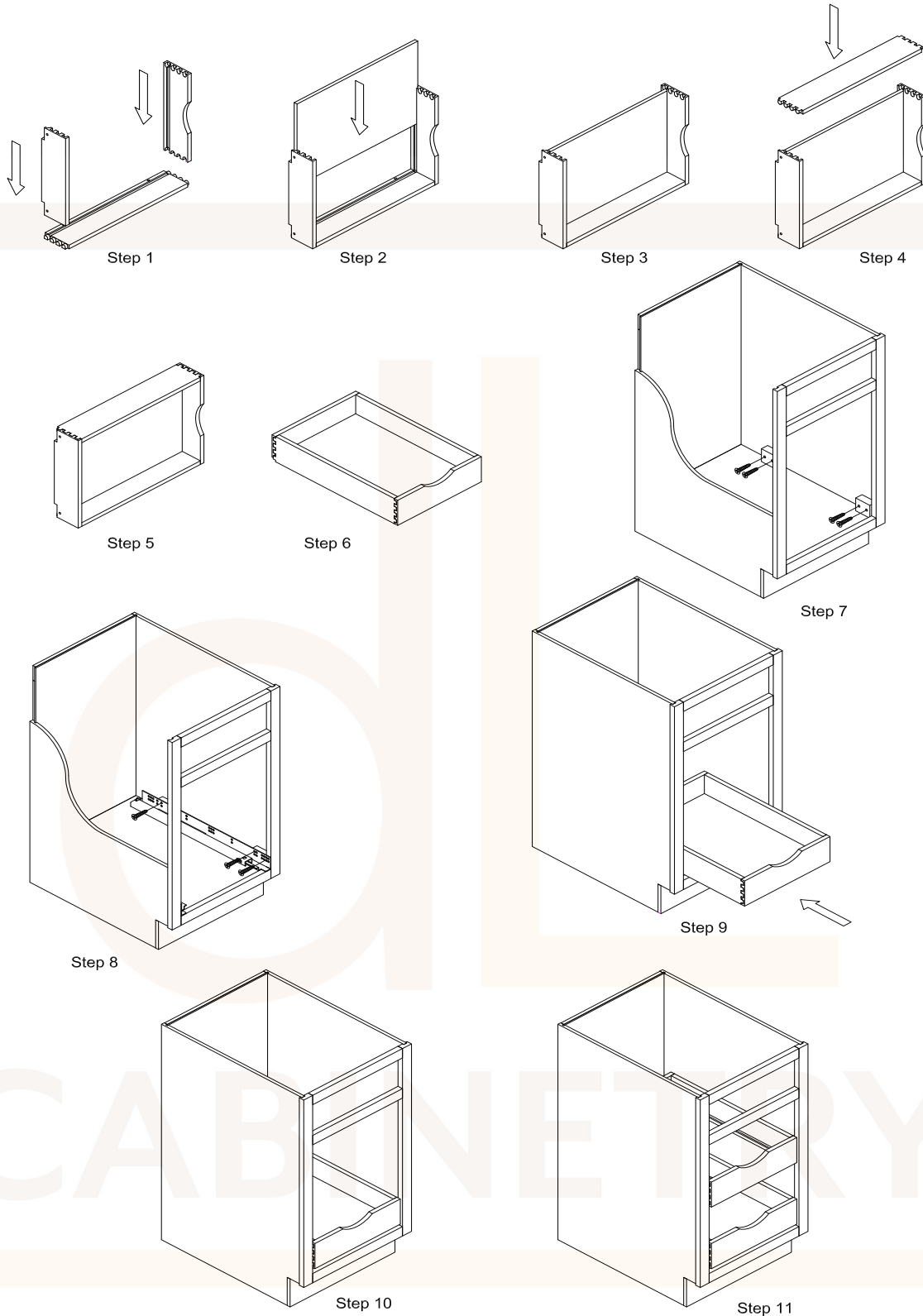
STEP 9



STEP 10



ASSEMBLY INSTRUCTIONS - PULLOUT TRAY



TOOLS



WOOD
GLUE



SCREW
DRIVER



RUBBER
MALLET



NAIL
GUN



STAPLER

This instruction applies to the following items:

PULLOUT TRAY 18"
PULLOUT TRAY 24"
PULLOUT TRAY 30"
PULLOUT TRAY 36"