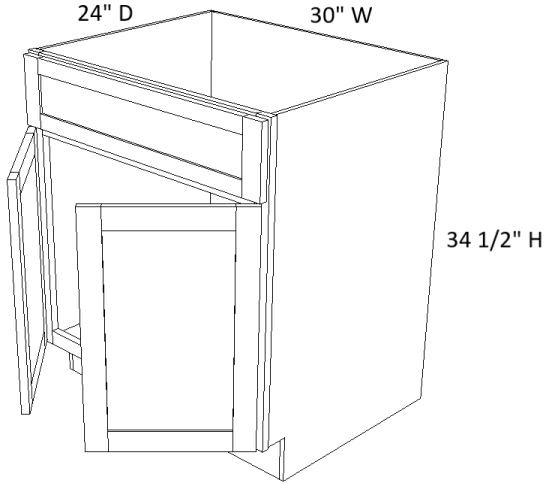




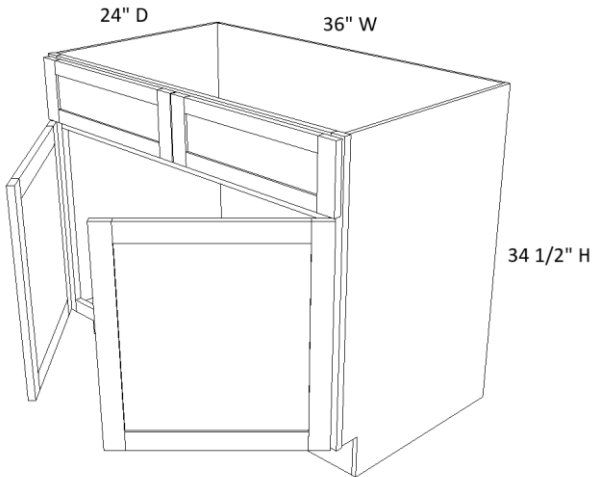
SPECIFICATION BOOK

2023

BASE CABINETS

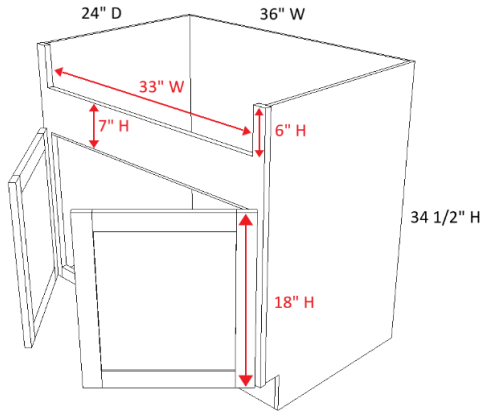


Product	Width	Height	Depth	Doors	False Drawers	Shelves
SB30	30"	34 1/2"	24"	2	1	0

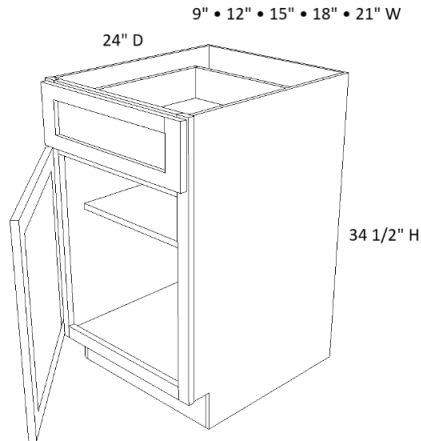


Product	Width	Height	Depth	Doors	False Drawers	Shelves
SB36	36"	34 1/2"	24"	2	2	0

BASE CABINETS

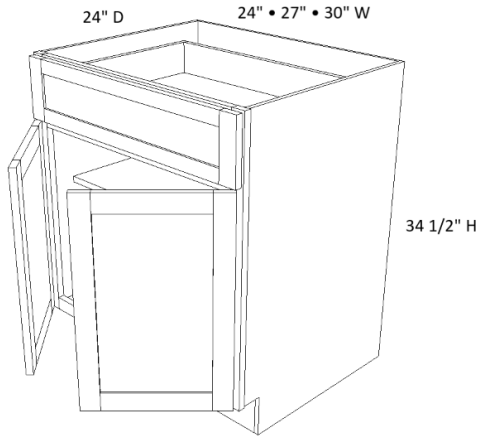


Product	Width	Height	Depth	Doors	False Drawers	Shelves
FSB36	36"	34 1/2"	24"	2	0	0

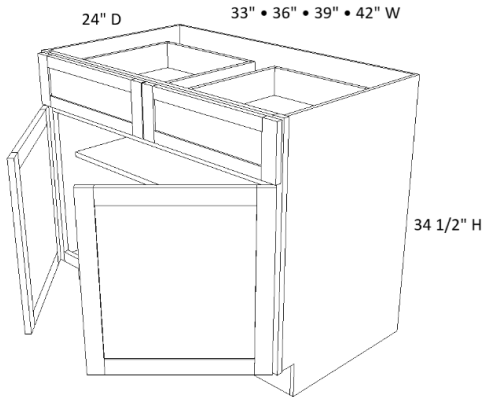


Product	Width	Height	Depth	Doors	Drawers	Shelves
B09	9"	34 1/2"	24"	1	1	1
B12	12"	34 1/2"	24"	1	1	1
B15	15"	34 1/2"	24"	1	1	1
B18	18"	34 1/2"	24"	1	1	1
B21	21"	34 1/2"	24"	1	1	1

BASE CABINETS

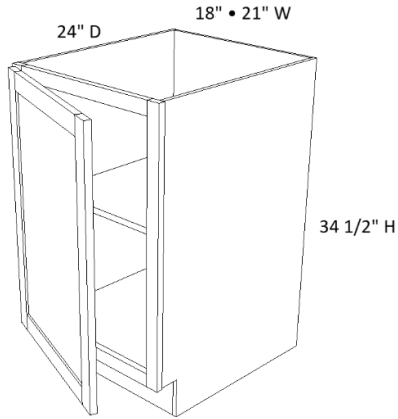


Product	Width	Height	Depth	Doors	Drawers	Shelves
B24	24"	34 1/2"	24"	2	1	1
B27	27"	34 1/2"	24"	2	1	1
B30	30"	34 1/2"	24"	2	1	1

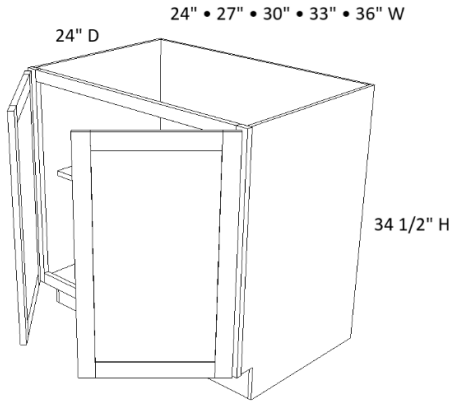


Product	Width	Height	Depth	Doors	Drawers	Shelves
B33	33"	34 1/2"	24"	2	2	1
B36	36"	34 1/2"	24"	2	2	1
B39	39"	34 1/2"	24"	2	2	1
B42	42"	34 1/2"	24"	2	2	1

BASE CABINETS

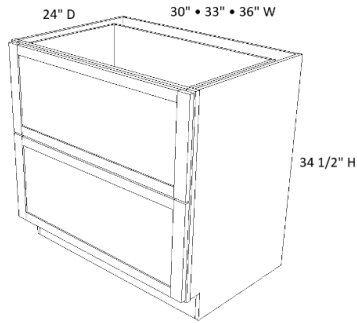


Product	Width	Height	Depth	Doors	Drawers	Shelves
FDB18	18"	34 1/2"	24"	1	0	1
FDB21	21"	34 1/2"	24"	1	0	1

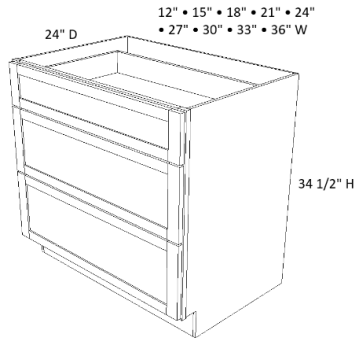


Product	Width	Height	Depth	Doors	Drawers	Shelves
FDB24	24"	34 1/2"	24"	2	0	1
FDB27	27"	34 1/2"	24"	2	0	1
FDB30	30"	34 1/2"	24"	2	0	1
FDB33	33"	34 1/2"	24"	2	0	1
FDB36	36"	34 1/2"	24"	2	0	1

BASE CABINETS

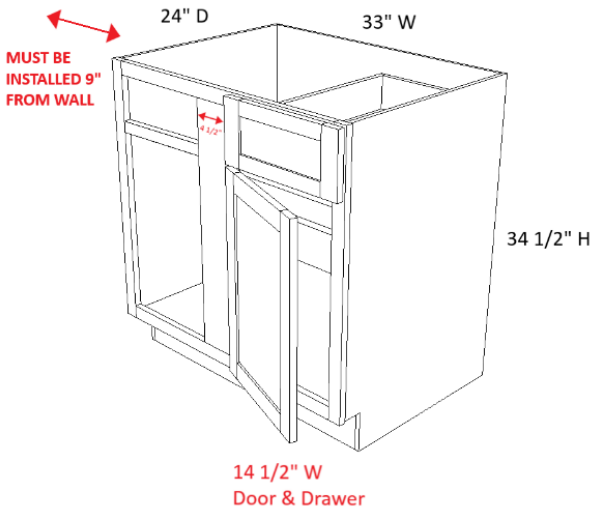


Product	Width	Height	Depth	Doors	Drawers	Shelves
2DB30	30"	34 1/2"	24"	0	2	0
2DB33	33"	34 1/2"	24"	0	2	0
2DB36	36"	34 1/2"	24"	0	2	0

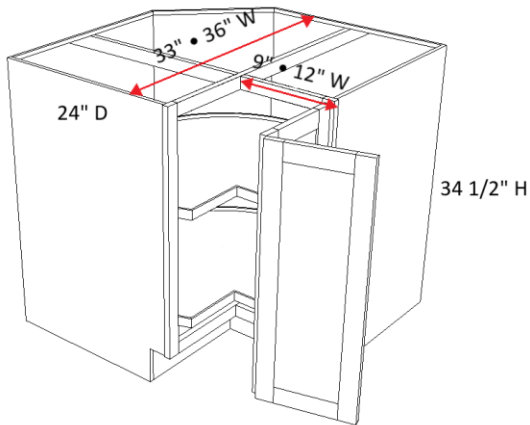


Product	Width	Height	Depth	Doors	Drawers	Shelves
DB12	12"	34 1/2"	24"	0	3	0
DB15	15"	34 1/2"	24"	0	3	0
DB18	18"	34 1/2"	24"	0	3	0
DB21	21"	34 1/2"	24"	0	3	0
DB24	24"	34 1/2"	24"	0	3	0
DB27	27"	34 1/2"	24"	0	3	0
DB30	30"	34 1/2"	24"	0	3	0
DB33	33"	34 1/2"	24"	0	3	0
DB36	36"	34 1/2"	24"	0	3	0

BASE CABINETS

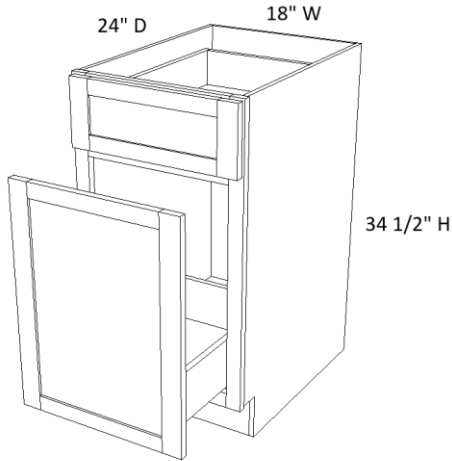


Product	Width	Height	Depth	Doors	Drawers	Shelves
BBC33-9	33"	34 1/2"	24"	1	1	1
Note: Cabinet must be installed 9" from the wall.						



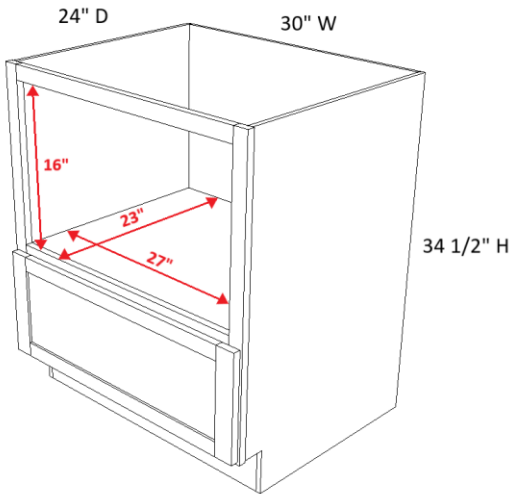
Product	Width	Height	Depth	Doors	Drawers	Turn Tables
LZS33	33"	34 1/2"	24"	1 (Bifold)	0	2
LZS3612	36"	34 1/2"	24"	1 (Bifold)	0	2

BASE CABINETS



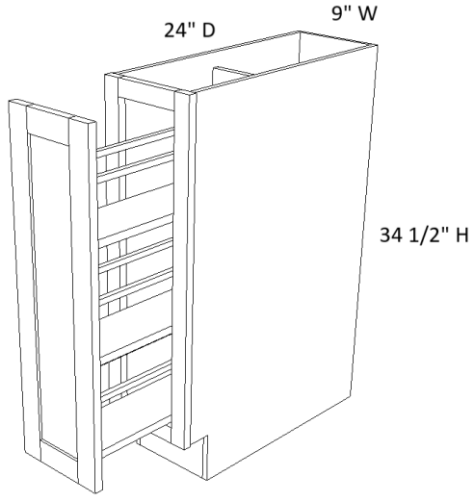
Product	Width	Height	Depth	Doors	Drawers	Shelves
BWBKT18	18"	34 1/2"	24"	0	2	0

Note: Trash cans for inside the cabinet are sold separately.

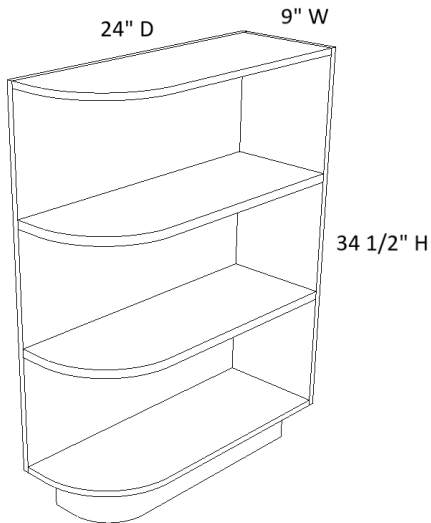


Product	Width	Height	Depth	Doors	Drawers	Shelves
BMC30	30"	34 1/2"	24"	0	1	0

BASE CABINETS

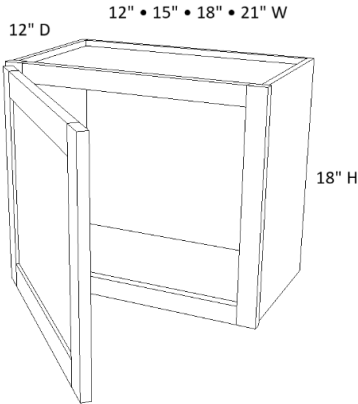


Product	Width	Height	Depth	Doors	Drawers	Shelves
SP09	9"	34 1/2"	24"	0	1	3

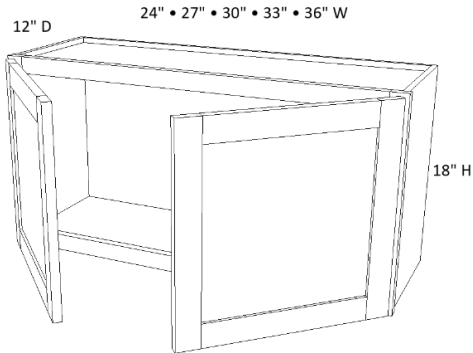


Product	Width	Height	Depth	Doors	Drawers	Shelves
BES09	9"	34 1/2"	24"	0	0	2

TALL CABINETS

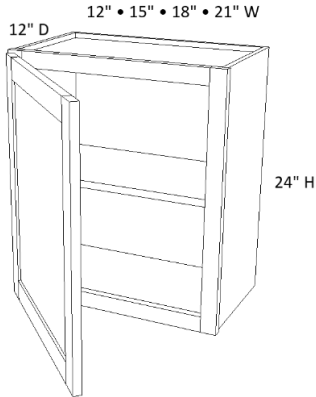


Product	Width	Height	Depth	Doors	Shelves
W1218	12"	18"	12"	1	0
W1518	15"	18"	12"	1	0
W1818	18"	18"	12"	1	0
W2118	21"	18"	12"	1	0

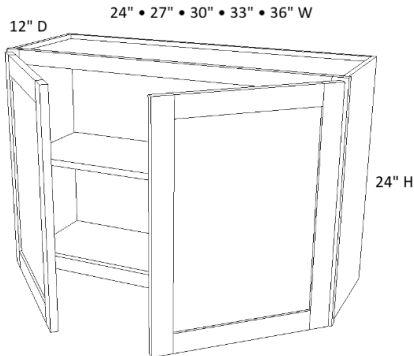


Product	Width	Height	Depth	Doors	Shelves
W2418	24"	18"	12"	2	0
W2718	27"	18"	12"	2	0
W3018	30"	18"	12"	2	0
W3318	33"	18"	12"	2	0
W3618	36"	18"	12"	2	0

TALL CABINETS

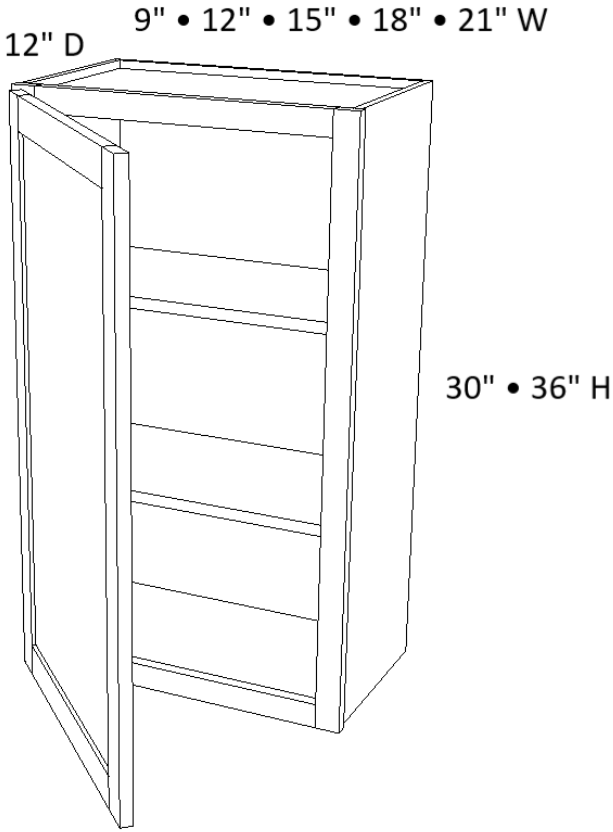


Product	Width	Height	Depth	Doors	Shelves
W1224	12"	24"	12"	1	1
W1524	15"	24"	12"	1	1
W1824	18"	24"	12"	1	1
W2124	21"	24"	12"	1	1



Product	Width	Height	Depth	Doors	Shelves
W2424	24"	24"	12"	2	1
W2724	27"	24"	12"	2	1
W3024	30"	24"	12"	2	1
W3324	33"	24"	12"	2	1
W3624	36"	24"	12"	2	1

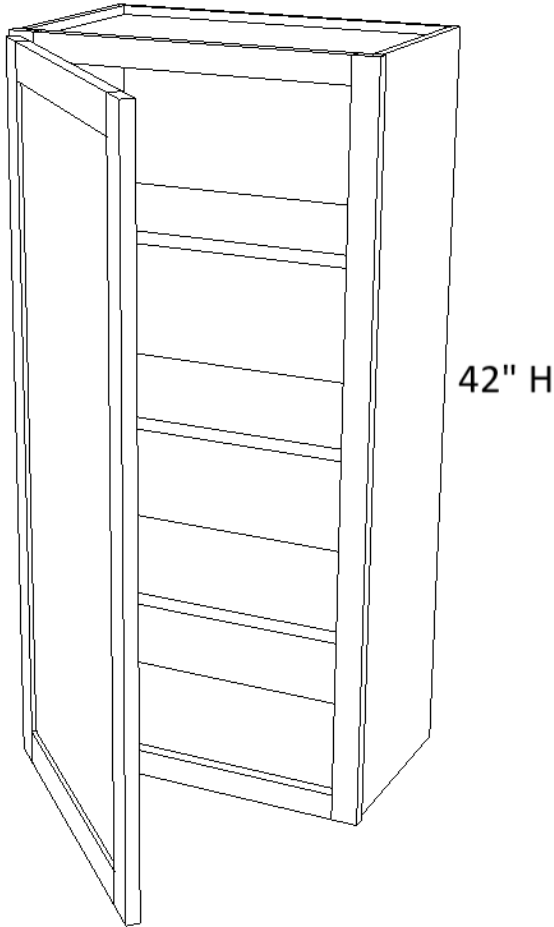
TALL CABINETS



Product	Width	Height	Depth	Doors	Shelves
W0930	9"	30"	12"	1	2
W1230	12"	30"	12"	1	2
W1530	15"	30"	12"	1	2
W1830	18"	30"	12"	1	2
W2130	21"	30"	12"	1	2
W0936	9"	36"	12"	1	2
W1236	12"	36"	12"	1	2
W1536	15"	36"	12"	1	2
W1836	18"	36"	12"	1	2
W2136	21"	36"	12"	1	2

TALL CABINETS

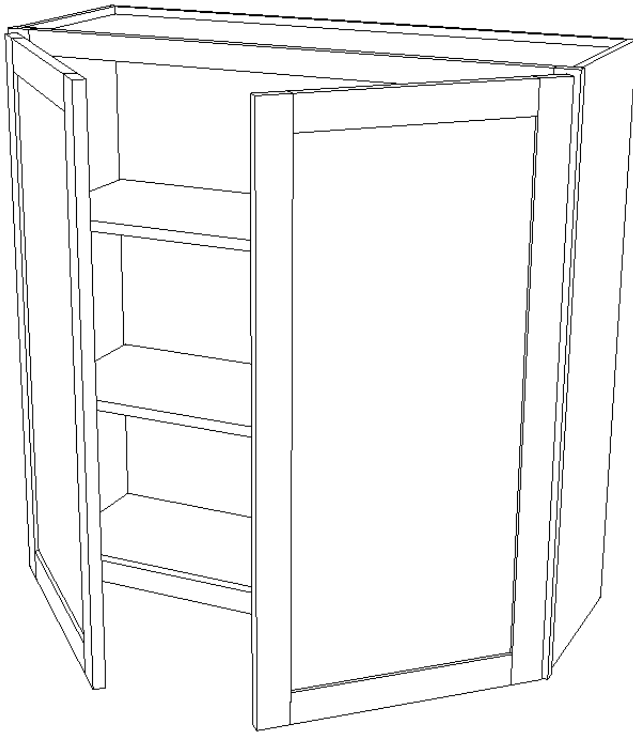
9" • 12" • 15" • 18" • 21" W
12" D



Product	Width	Height	Depth	Doors	Shelves
W0942	9"	42"	12"	1	3
W1242	12"	42"	12"	1	3
W1542	15"	42"	12"	1	3
W1842	18"	42"	12"	1	3
W2142	21"	42"	12"	1	3

TALL CABINETS

12" D 24" • 27" • 30" • 33" • 36" W



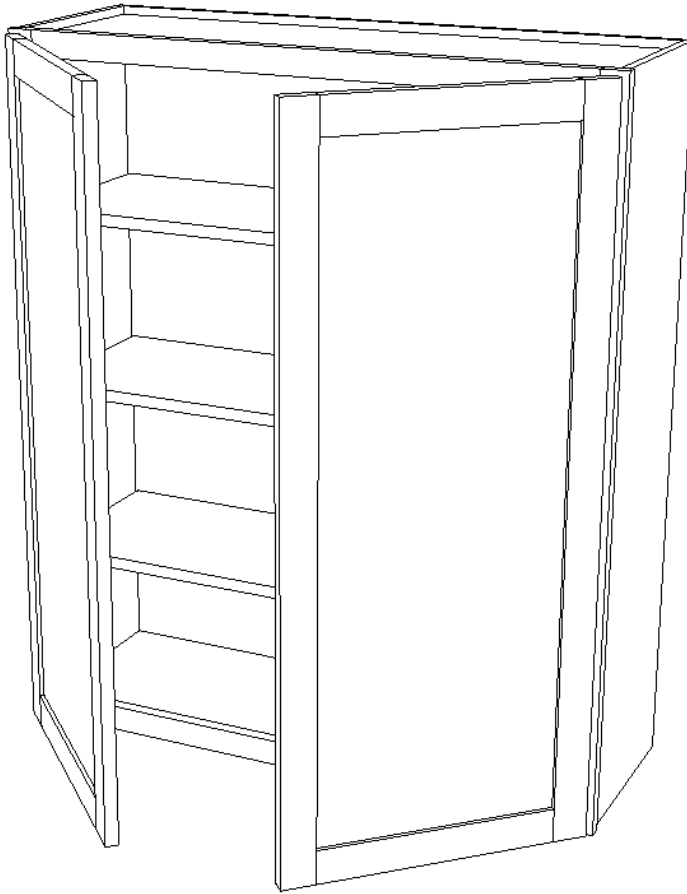
30" • 36" H

Product	Width	Height	Depth	Doors	Shelves
W2430	24"	30"	12"	2	2
W2730	27"	30"	12"	2	2
W3030	30"	30"	12"	2	2
W3330	33"	30"	12"	2	2
W3630	36"	30"	12"	2	2
W2436	24"	36"	12"	2	2
W2736	27"	36"	12"	2	2
W3036	30"	36"	12"	2	2
W3336	33"	36"	12"	2	2
W3636	36"	36"	12"	2	2

TALL CABINETS

24" • 27" • 30" • 33" • 36" W

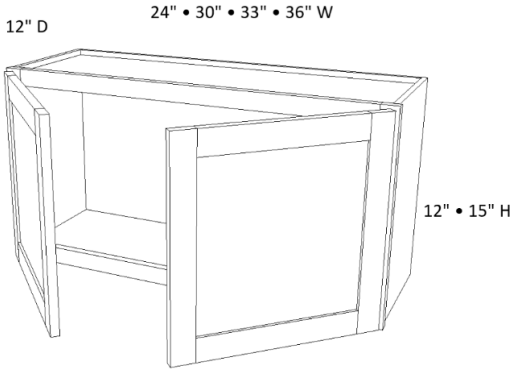
12" D



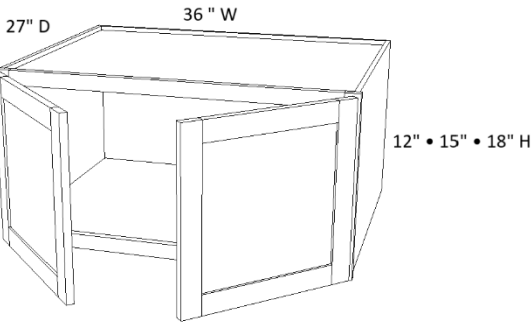
42" H

Product	Width	Height	Depth	Doors	Shelves
W2442	24"	42"	12"	2	3
W2742	27"	42"	12"	2	3
W3042	30"	42"	12"	2	3
W3342	33"	42"	12"	2	3
W3642	36"	42"	12"	2	3

TALL CABINETS

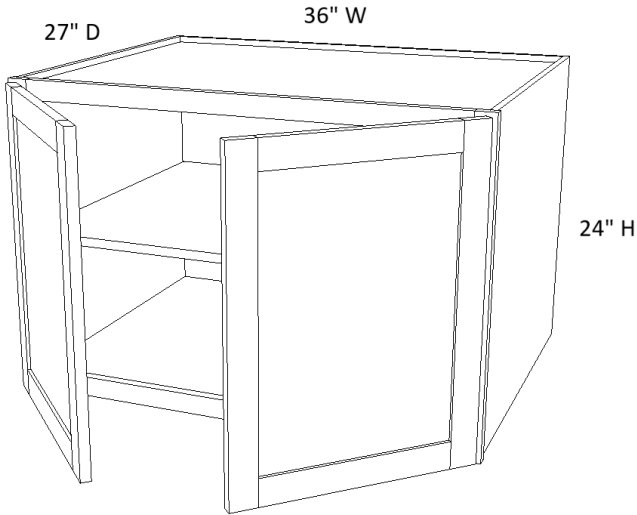


Product	Width	Height	Depth	Doors	Shelves
W2412	24"	12"	12"	2	0
W3012	30"	12"	12"	2	0
W3312	33"	12"	12"	2	0
W3612	36"	12"	12"	2	0
W2415	24"	15"	12"	2	0
W3015	30"	15"	12"	2	0
W3315	33"	15"	12"	2	0
W3615	36"	15"	12"	2	0

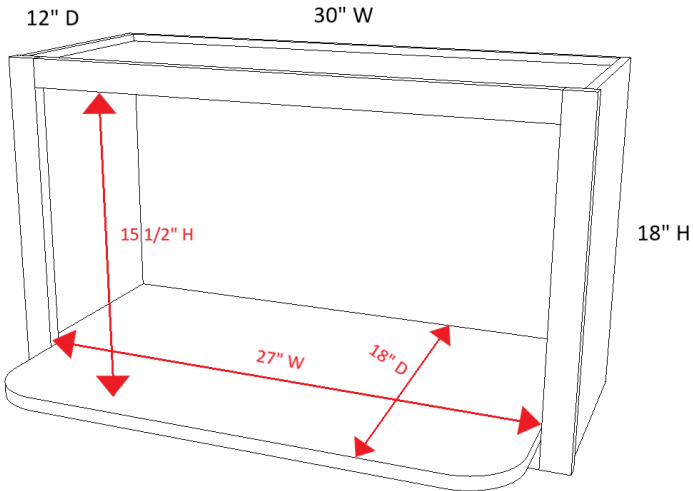


Product	Width	Height	Depth	Doors	Shelves
W361227	36"	12"	27"	2	0
W361527	36"	15"	27"	2	0
W361827	36"	18"	27"	2	0

TALL CABINETS

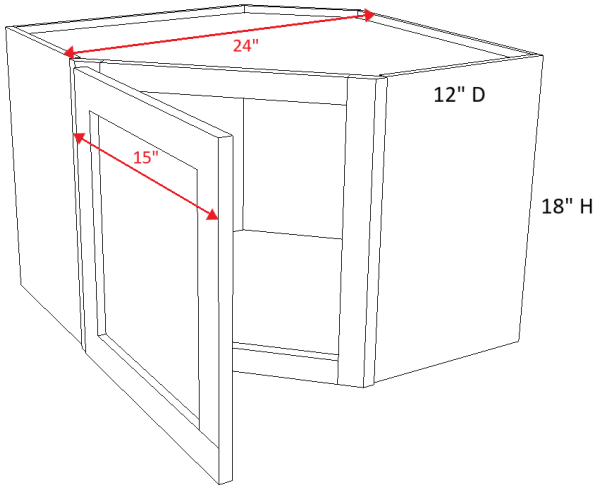


Product	Width	Height	Depth	Doors	Shelves
W362427	36"	24"	27"	2	1

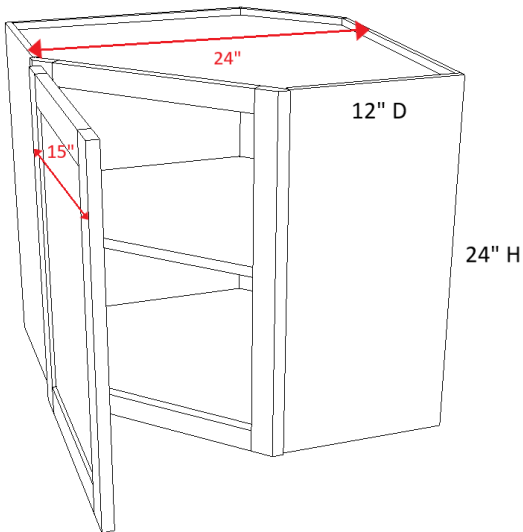


Product	Width	Height	Depth	Doors	Shelves
WMC3018	30"	18"	12"	0	1

TALL CABINETS

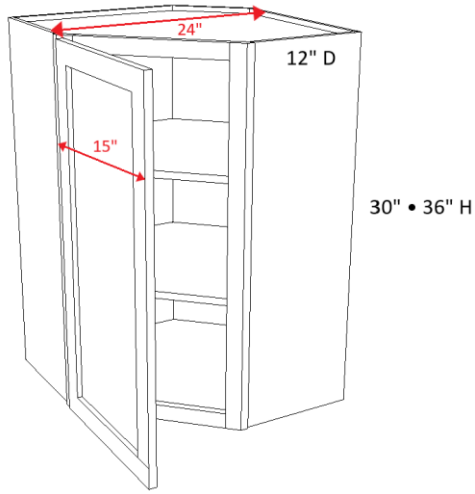


Product	Width	Height	Depth	Doors	Shelves
WDC241812	24"	18"	12"	1	0

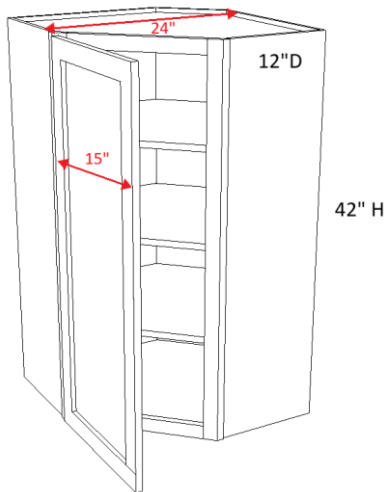


Product	Width	Height	Depth	Doors	Shelves
WDC242412	24"	24"	12"	1	1

TALL CABINETS

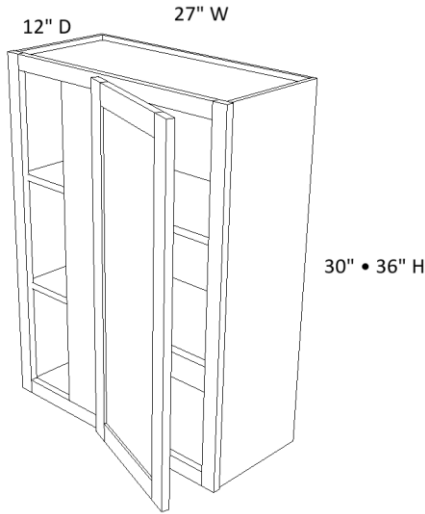


Product	Width	Height	Depth	Doors	Shelves
WDC243012	24"	30"	12"	1	2
WDC243612	24"	36"	12"	1	2

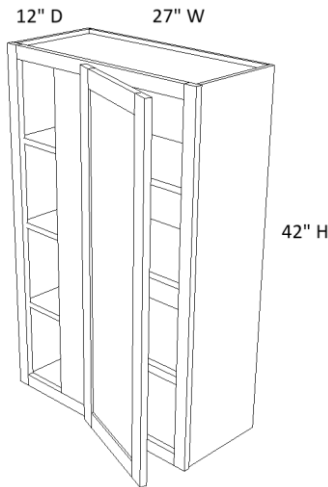


Product	Width	Height	Depth	Doors	Shelves
WDC244212	24"	42"	12"	1	3

TALL CABINETS

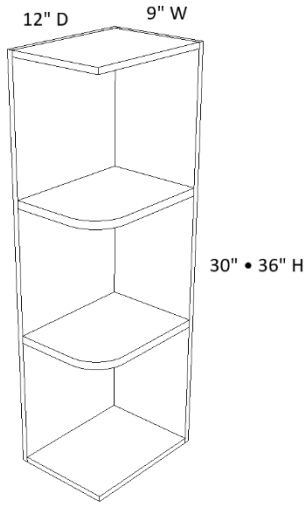


Product	Width	Height	Depth	Doors	Shelves
WBC2730	27"	30"	12"	1	2
WBC2736	27"	36"	12"	1	2

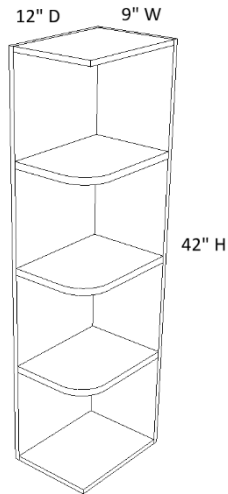


Product	Width	Height	Depth	Doors	Shelves
WBC2742	27"	42"	12"	1	3

TALL CABINETS

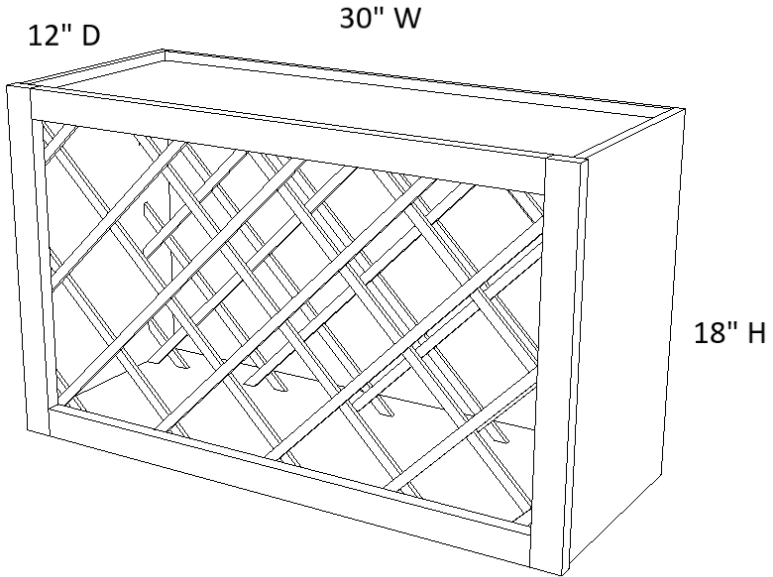


Product	Width	Height	Depth	Doors	Shelves
WEOS0930	9"	30"	12"	0	2
WEOS0936	9"	36"	12"	0	2

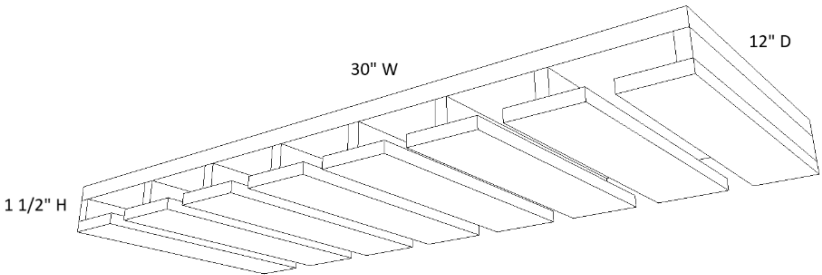


Product	Width	Height	Depth	Doors	Shelves
WEOS0942	9"	42"	12"	0	3

TALL CABINETS



Product	Width	Height	Depth	Doors	Shelves
WRC3018	30"	18"	12"	0	0

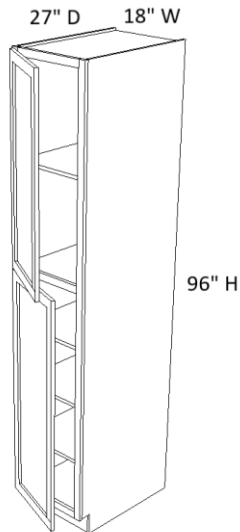


Product	Width	Height	Depth	Doors	Shelves
GH30	30"	1 1/2"	12"	0	0

TALL CABINETS

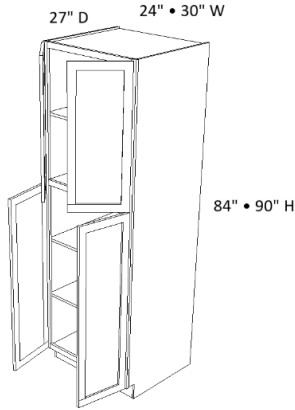


Product	Width	Height	Depth	Doors	Shelves
WP188427	18"	84"	27"	2	3
WP189027	18"	90"	27"	2	3

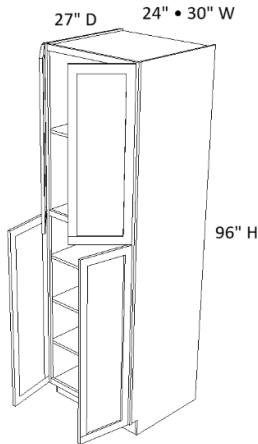


Product	Width	Height	Depth	Doors	Shelves
WP189627	18"	96"	27"	2	4

TALL CABINETS

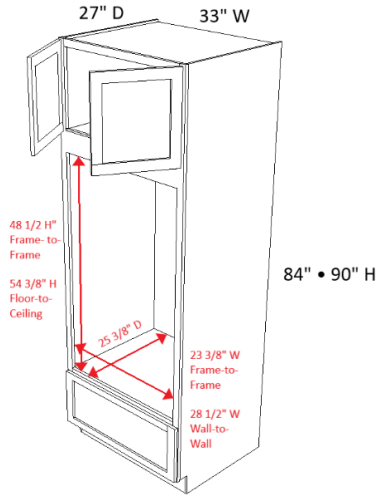


Product	Width	Height	Depth	Doors	Shelves
WP248427	24"	84"	27"	4	3
WP249027	24"	90"	27"	4	3
WP308427	30"	84"	27"	4	3
WP309027	30"	90"	27"	4	3

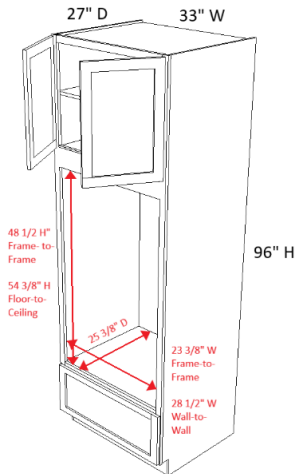


Product	Width	Height	Depth	Doors	Shelves
WP249627	24"	96"	27"	4	4
WP309627	30"	96"	27"	4	4

TALL CABINETS

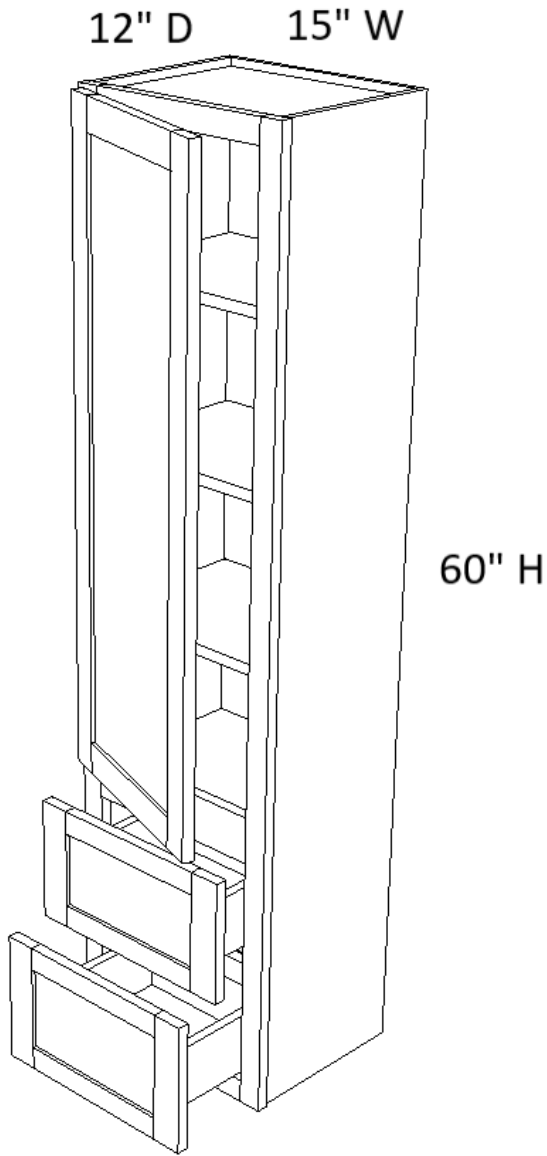


Product	Width	Height	Depth	Doors	Drawers	Shelves
OVD338427	33"	84"	27"	2	1	0
OVD339027	33"	90"	27"	2	1	0



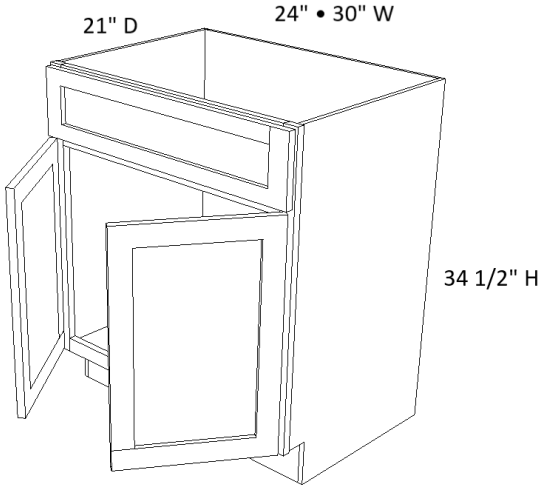
Product	Width	Height	Depth	Doors	Drawers	Shelves
OVD339627	33"	96"	27"	2	1	1

TALL CABINETS

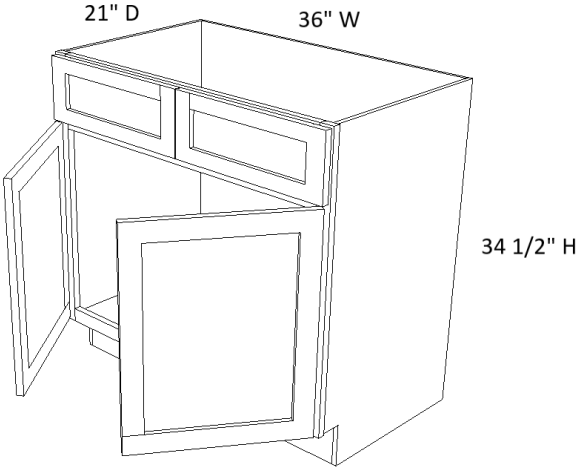


Product	Width	Height	Depth	Doors	Drawers	Shelves
CL156012	15"	60"	12"	1	2	3

VANITY CABINETS

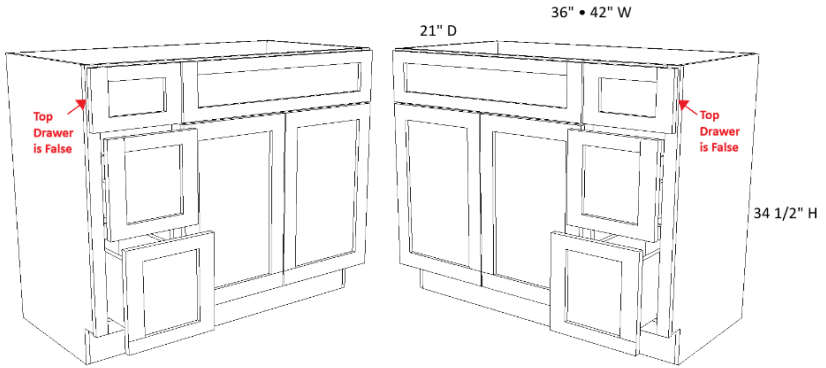


Product	Width	Height	Depth	Doors	False Drawers	Shelves
VAN24	24"	34 1/2"	21"	2	1	0
VAN30	30"	34 1/2"	21"	2	1	0

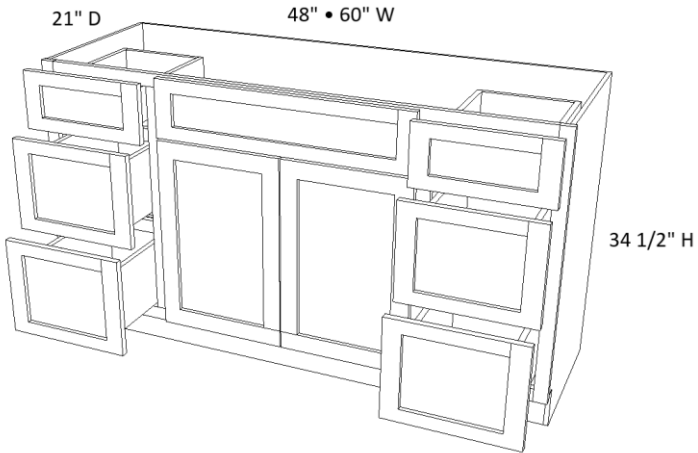


Product	Width	Height	Depth	Doors	False Drawers	Shelves
VSB36	36"	34 1/2"	21"	2	2	0

VANITY CABINETS

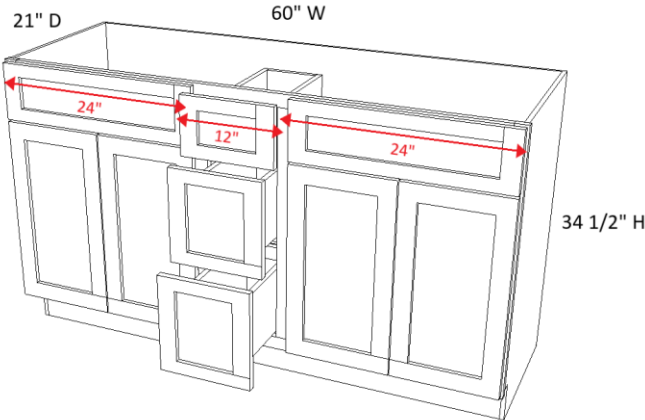


Product	Width	Height	Depth	Doors	Drawers / False Drawers	Shelves
VAN36DL	36"	34 ½"	21"	2	2 / 2	0
VAN36DR	36"	34 ½"	21"	2	2 / 2	0
VAN42DL	42"	34 ½"	21"	2	2 / 2	0
VAN42DR	42"	34 ½"	21"	2	2 / 2	0

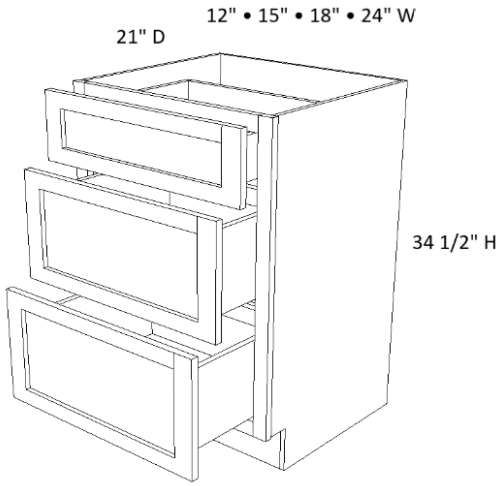


Product	Width	Height	Depth	Doors	Drawers / False Drawers	Shelves
VAN48D-6	48"	34 ½"	21"	2	6 / 1	0
VAN60D-6	60"	34 ½"	21"	2	6 / 1	0

VANITY CABINETS

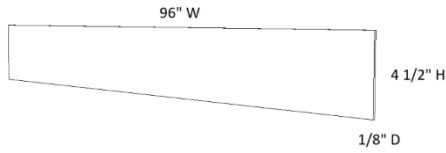


Product	Width	Height	Depth	Doors	Drawers / False Drawers	Shelves
VAN60DD-3	60"	34 1/2"	21"	4	3 / 2	0

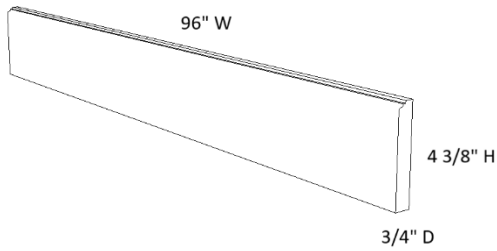


Product	Width	Height	Depth	Doors	Drawers	Shelves
VDB12	12"	34 1/2"	21"	0	3	0
VDB15	15"	34 1/2"	21"	0	3	0
VDB18	18"	34 1/2"	21"	0	3	0
VDB24	24"	34 1/2"	21"	0	3	0

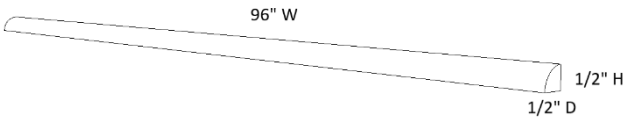
ACCESSORIES



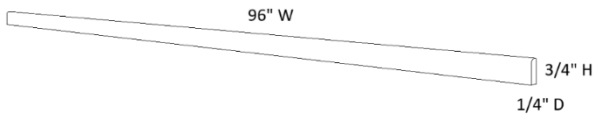
Product	Width	Height	Depth
TK8	96"	4 1/2"	1/8"



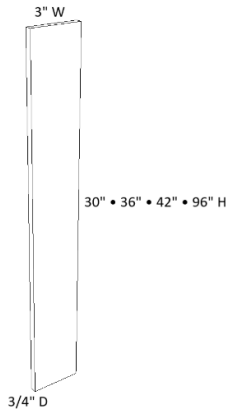
Product	Width	Height	Depth
BASEMOLDING	96"	4 3/8"	3/4"



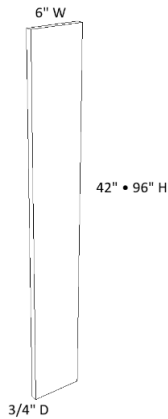
Product	Width	Height	Depth
SHOEMOLDING	96"	1/2"	1/2"



Product	Width	Height	Depth
SCRIBEMOLDING	96"	3/4"	1/4"

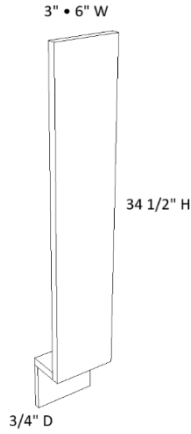


Product	Width	Height	Depth
WF3 30	3"	30"	3/4"
WF3 36	3"	36"	3/4"
WF3 42	3"	42"	3/4"
FILLER 3X96	3"	96"	3/4"

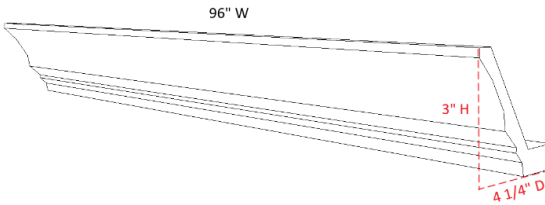


Product	Width	Height	Depth
WF6 42	6"	42"	3/4"
FILLER 6X96	6"	96"	3/4"

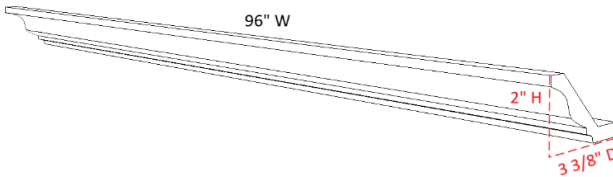
ACCESSORIES



Product	Width	Height	Depth
BF3	3"	34 1/2"	3/4"
BF6	6"	34 1/2"	3/4"

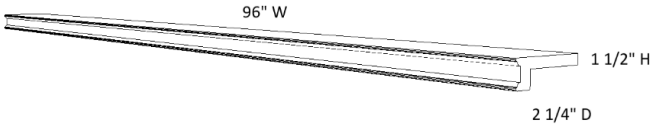


Product	Width	Height	Depth
CCM8	96"	3"	4 1/4"

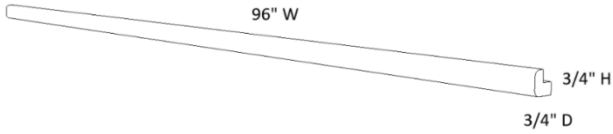


Product	Width	Height	Depth
ACM2.5	96"	2"	3 3/8"

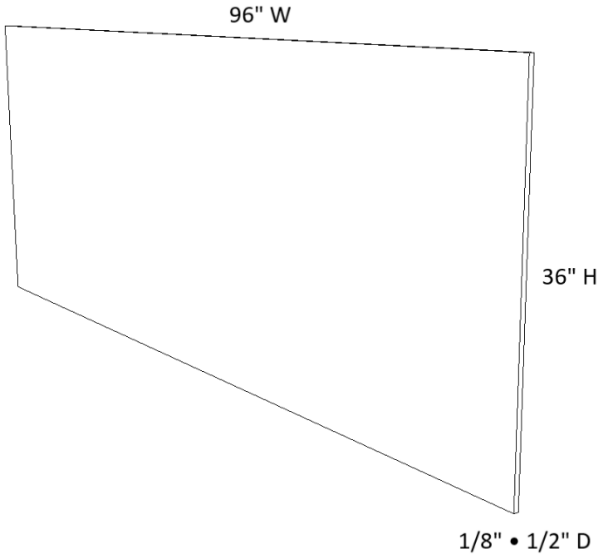
ACCESSORIES



Product	Width	Height	Depth
TLR8	96"	1 1/2"	2 1/4"

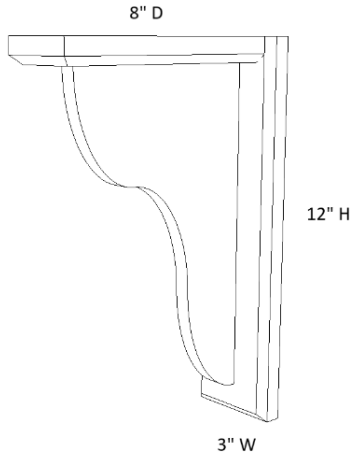


Product	Width	Height	Depth
ANGLEMOLDING	96"	3/4"	3/4"

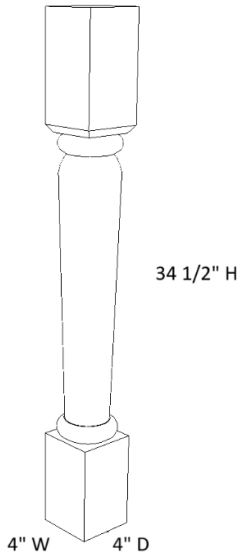


Product	Width	Height	Depth
SIDE PANEL 36X96	96"	36"	1/2"
SKIN PANEL 36X96	96"	36"	1/8"

ACCESSORIES

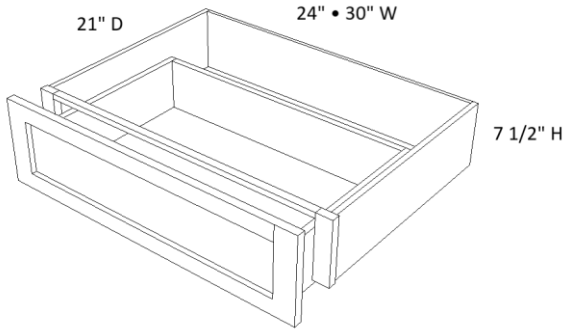


Product	Width	Height	Depth
CORBEL 8X12	3"	12"	8"

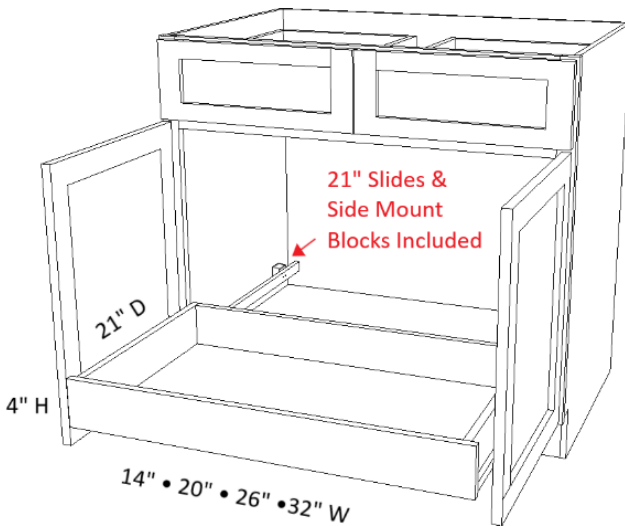


Product	Width	Height	Depth
DLS 4X4X36	4"	34 1/2"	4"

ACCESSORIES

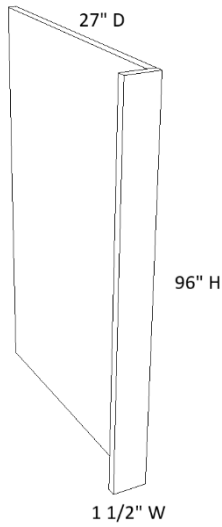


Product	Width	Height	Depth
DSK2421	24"	7 1/2"	21"
DSK3021	30"	7 1/2"	21"

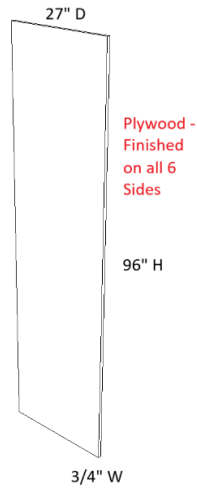


Product	Width	Height	Depth
PULLOUT TRAY 18"	14"	4"	21"
PULLOUT TRAY 24"	20"	4"	21"
PULLOUT TRAY 30"	26"	4"	21"
PULLOUT TRAY 36"	32"	4"	21"

ACCESSORIES

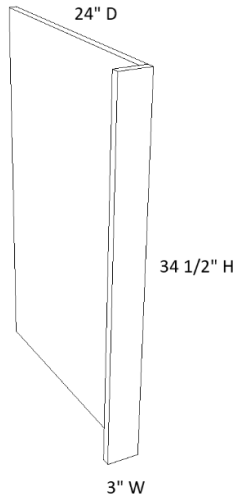


Product	Width	Height	Depth
RRP27 (1.5)	1 1/2"	96"	27"

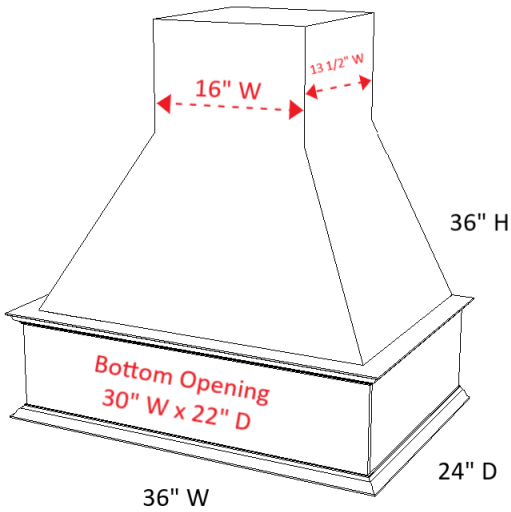


Product	Width	Height	Depth
FLAT PANEL 27X96	3/4"	96"	27"

ACCESSORIES

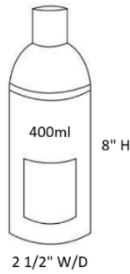


Product	Width	Height	Depth
DWP3	3"	34 1/2"	24"



Product	Width	Height	Depth	Doors	Shelves
RH36	36"	36"	24"	0	0

ACCESSORIES

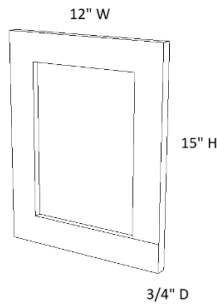


Product	Width	Height	Depth
PAINT	2 1/2"	8"	2 1/2"



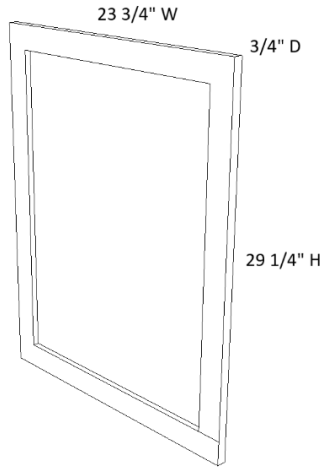
Package Dimensions: 6 1/2" W x 1 1/4" H x 2" D

Product	Width	Height	Depth
TOUCH UP KIT	6 1/2"	1 1/4"	2"

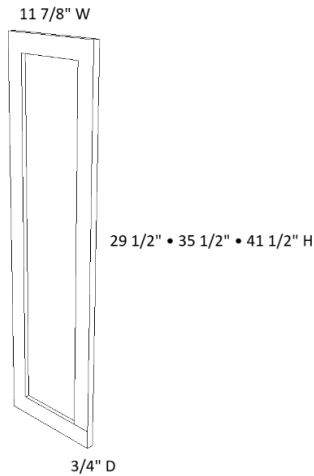


Product	Width	Height	Depth
SAMPLE DOOR	12"	15"	3/4"

ACCESSORIES



Product	Width	Height	Depth
BDD24	23 $\frac{3}{4}$ "	29 $\frac{1}{4}$ "	$\frac{3}{4}$ "

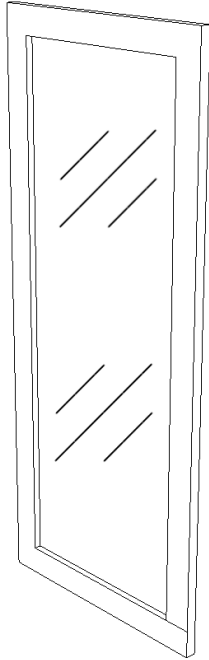


Product	Width	Height	Depth
WDD30	11 $\frac{7}{8}$ "	29 $\frac{1}{2}$ "	$\frac{3}{4}$ "
WDD36	11 $\frac{7}{8}$ "	35 $\frac{1}{2}$ "	$\frac{3}{4}$ "
WDD42	11 $\frac{7}{8}$ "	41 $\frac{1}{2}$ "	$\frac{3}{4}$ "

ACCESSORIES

WG - 11 11/16" • 14 11/16" • 17 11/16" W

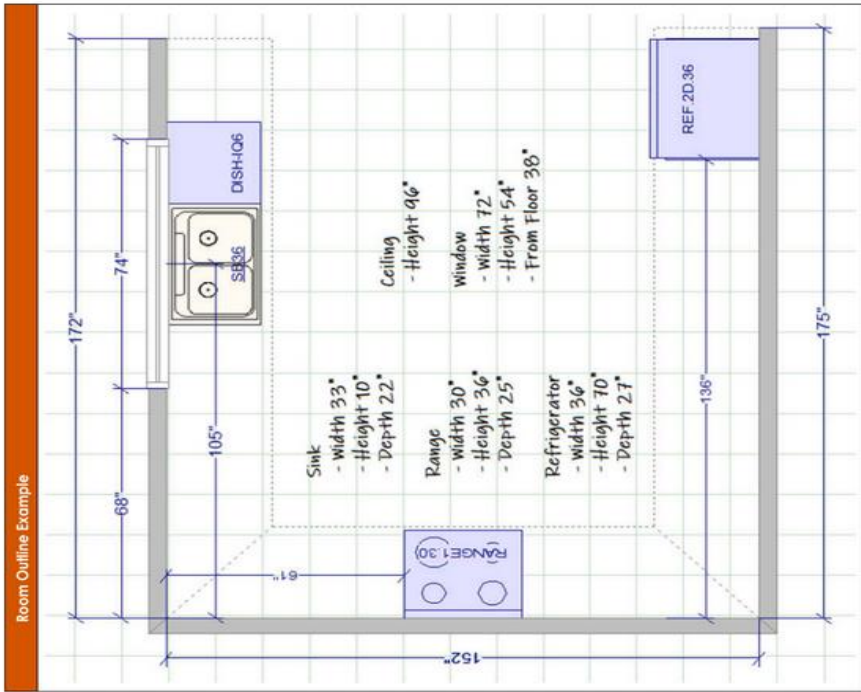
WDCG - 14 5/8" W



29 1/2" • 35 1/2" • 41 1/2" H

3/4" D

Product	Width	Height	Depth
WG1230	11 11/16"	29 1/2"	3/4"
WG1530	14 11/16"	29 1/2"	3/4"
WG1830	17 11/16"	29 1/2"	3/4"
WG1236	11 11/16"	35 1/2"	3/4"
WG1536	14 11/16"	35 1/2"	3/4"
WG1836	17 11/16"	35 1/2"	3/4"
WG1242	11 11/16"	41 1/2"	3/4"
WG1542	14 11/16"	41 1/2"	3/4"
WG1842	17 11/16"	41 1/2"	3/4"
WDCG243012	14 5/8"	29 1/2"	3/4"
WDCG243612	14 5/8"	35 1/2"	3/4"
WDCG244212	14 5/8"	41 1/2"	3/4"

**Before You Start**

- Record all measurements in inches (do not round)
- Make sure that all recorded measurements are clearly legible
- Assign one person to determine and record all measurements

Record Ceiling Heights & Wall Lengths

- Draw an outline of the room
- Record the ceiling height on your outline
 - Measuring from the floor to the ceiling or base of the soffit
- Record the wall lengths on your outline
 - Start in one corner of your project area and measure to an adjacent wall
 - Continue around the room until all necessary walls have been measured

Measure Windows

- Include all window trim as part of the measurements for windows
- Measure and record each window's width, height, and the distance from the window to the floor on the outline
- Add window locations to your outline
 - Start at the corner of any wall that contains a window and measure to the outside trim or edge of the window
 - Continue around the room until all necessary windows have been added to your layout

Measure Appliances

- Measure or research and record the width, height, and depth of your sink and all appliances
- Add the sink location to your outline
 - Start at the corner of the sink wall and measure to the center of your sink
- Add the appliance locations to your outline
 - Note the location of your dishwasher in relation to your sink (left or right) if applicable
 - Start at the corner of the range wall and measure to the edge of your range
 - Start at the corner of the refrigerator wall and measure to the edge of your refrigerator